



ANUGERAH SINAWAN ABADI

**KK** KITCHEN KINGDOM  
hotelware & kitchenware supplies

**CATALOG  
2024 | 2025**

# KITCHENWARE



**20  
25**

# COOKWARE



CHAPTER

# 01

## MAUVIEL - M'COOK RANGE

The Collection M'cook offers s the highest culinary technology. Five layers of materials provide perfect heat conduction and distribution. The bronze handles reinforce the pure and modern design of this range. The collection M'cook provides the most demanding cook with the greatest pleasure. Made in France.



**MAUVIEL M'COOK Stainless Steel Sauce Pan with Bronze Handle**



**MAUVIEL M'COOK Stainless Steel Sauteuse with Bronze Handle**



**MAUVIEL M'COOK Stainless Steel Non-Stick Frying Pan**



**MAUVIEL M'COOK Stainless Steel Non-Stick Frying Pan with Bronze Handle**



**MAUVIEL M'COOK Stainless Steel Non-Stick Frying Pan with Bronze Handle**



**MAUVIEL M'COOK Stainless Steel Rectangle Roasting Pan with Bronze Handles**



**MAUVIEL M'COOK Stainless Steel Lid with Bronze Handle**

## DE BUYER - AFFINITY RANGE

The Affinity range uses an innovative ultra conductive single-piece multi-layer material (5 layers) on side and bottom. For even heat distribution, the 3 central layers of the Affinity material are made of aluminium. It heats up quickly, thereby preserving vitamins, cooking evenly and providing a perfect heating circuit. This is essential for slow-cooked dishes and sauces. The cast stainless steel handles are firmly fastened with rivets. The products are solid and undeformable. Affinity products are suitable for any cook top, including induction.



DE BUYER AFFINITY *Stainless Steel Lid*



DE BUYER AFFINITY *Stainless Steel Oval Stewpan with Lid*



DE BUYER AFFINITY *Stainless Steel Mini Casserole with Lid*



DE BUYER AFFINITY *Stainless Steel Low Casserole with Lid*



DE BUYER AFFINITY *Stainless Steel Casserole with Lid*



DE BUYER AFFINITY *Stainless Steel Sauce Pan*



DE BUYER AFFINITY *Stainless Steel Sauteuse*



DE BUYER AFFINITY *Stainless Steel Flaired Saute Pan*



DE BUYER AFFINITY *Stainless Steel Mini Frying Pan*



DE BUYER AFFINITY *Stainless Steel Frying Pan*



DE BUYER AFFINITY *Stainless Steel Non-Stick Frying Pan*

## DE BUYER - NOSTALGY RANGE

Resolutely vintage-looking and hinting at childhood memories, the patinated finish of the range NOSTALGY confers it refinement and elegance. Its resistant stainless steel composition facilitates the use and the maintenance. The wide magnetic bottom spreads the heat in a quite even way on the whole bottom of the item, and makes cooking easy on all heat sources, induction included. The flared edges provide an easy pouring of all food and liquids.



DE BUYER NOSTALGY *Stainless Steel Sauce Pan with Lid*



DE BUYER NOSTALGY *Stainless Steel Frypan*



DE BUYER NOSTALGY *Stainless Steel Stew Pan with Lid & Side Handles*

# de Buyer

DEPUIS 1830



Chaque recette a son secret



FRENCH MANUFACTURER OF  
COOKING AND PASTRY UTENSILS

## LACOR- CHEF-LUXE HEAVY DUTY RANGE

The Chef- Luxe range is made in 18/10 stainless steel (pot body, handles and grip) with a thickness of 1.5mm to 2mm. It comes with a heat diffuser bottom made from stainless steel with sandwiched aluminium. It is designed to be energy saving with high resistance and long durability.



LACOR CHEF LUXE *Stainless Steel Stock Pot without Lid*



LACOR CHEF LUXE *Stainless Steel Shallow Stock Pot without Lid*



LACOR CHEF LUXE *Stainless Steel High Casserole without Lid*



LACOR CHEF LUXE *Stainless Steel Low Casserole without Lid*



LACOR CHEF LUXE *Stainless Steel High Sauce Pan without Lid*



LACOR CHEF LUXE *Stainless Steel Sauce Pan without Lid*



LACOR CHEF LUXE *Stainless Steel Conical Saute Pan*



LACOR CHEF LUXE *Stainless Steel Saute Pan with 1 Handle*



LACOR CHEF LUXE *Stainless Steel Frying Dish with 2 Handles without Lid*



LACOR CHEF LUXE *Stainless Steel Pressure Cooker*



LACOR CHEF LUXE *Stainless Steel Lid*



LACOR CHEF LUXE *Accessories Lid for Pressure Cooker*

The Lacor logo features the brand name in a bold, italicized, white sans-serif font. A red, curved swoosh arches over the letters 'a' and 'c', starting above the 'a' and ending above the 'c'.

**Lacor**

“World’s Top Chefs choose Top Quality”



## LACOR- CHEF CLASSIC RANGE

Seamless one piece 18-10 stainless steel construction with satin polish finishing. Handles are welded for heavy duty use. The sandwich bottom Allows usage on all sources of heat, from traditional to induction. Made in Spain.



LACOR CHEF CLASSIC *Stainless Steel Stock Pot without Lid*



LACOR CHEF CLASSIC *Stainless Steel Deep Casserole without Lid*



LACOR CHEF CLASSIC *Stainless Steel Casserole without Lid*



LACOR CHEF CLASSIC *Stainless Steel Deep Sauce Pan*



LACOR CHEF CLASSIC *Stainless Steel Flaired Saute Pan*



*Stainless Steel Sauce Pan*



LACOR CHEF CLASSIC *Stainless Steel Sauteuse*



LACOR CHEF CLASSIC *Stainless Steel Frying Dish without Lid*



LACOR CHEF CLASSIC *Stainless Steel Lid*



LACOR CHEF CLASSIC *Stainless Steel Steamer Insert*



LACOR CHEF CLASSIC *Stainless Steel Colander Set of 4 Pcs*



## SAFICO

quality at incredible value. Seamless on piece 18-10 stainless steel construction with satin polish finishing and mirror band. The sandwich bottom allows usage on all resources of heat, from traditional to induction.



### SAFICO Stainless Steel Stock Pot without Lid

Product Code	Dimension	Capacity 5.4 ℓ 10.9 ℓ
01-001-00054	Ø20 x H19cm	17.2 ℓ 25.7 ℓ 25.7 ℓ
01-001-00049	Ø24 x H24cm	(with Faucet) 36.6 ℓ
01-001-00050	Ø28 x H28cm	50.2 ℓ 71.5 ℓ 88.4 ℓ
01-001-00051	Ø32 x H32cm	140.0ℓ
01-001-00047(XX)	Ø32 x H32cm	
01-001-00048	Ø36 x H36cm	
01-001-00052	Ø40 x H40cm	
01-001-00053	Ø45 x H45cm	
01-001-00055*	Ø50 x H50cm	
01-001-00056*	Ø60 x H55cm	

\*Products come with cutting bottom



### SAFICO Stainless Steel High Casserole without Lid

Product Code	Dimension	Capacity
01-001-00114	Ø16 x H11cm	2.2ℓ
01-001-00111	Ø20 x H13cm	4.1ℓ
01-001-00115	Ø24 x H16cm	6.8ℓ
01-001-00112	Ø28 x H17cm	11.1ℓ
01-001-00113	Ø32 x H19cm	16.1ℓ
01-001-00116	Ø36 x H22cm	22.4ℓ
01-001-00117	Ø40 x H25cm	31.4ℓ
01-001-00118	Ø45 x H28cm	44.5ℓ
01-001-00144*	Ø50 x H30cm	53.0ℓ
01-001-00145*	Ø60 x H35cm	89.1ℓ

\*Products come with cutting bottom



### SAFICO Stainless Steel Shallow Casserole without Lid

Product Code	Dimension	Capacity
01-001-00147	Ø16 x H8cm	1.4 ℓ
01-001-00146	Ø20 x H9cm	2.5 ℓ
01-001-00130	Ø24 x H10cm	4.5 ℓ
01-001-00131	Ø28 x H11cm	6.8 ℓ
01-001-00132	Ø32 x H13cm	10.4 ℓ
01-001-00133	Ø36 x H17cm	15.3 ℓ
01-001-00134	Ø40 x H18cm	22.6 ℓ
01-001-00128	Ø45 x H20cm	31.8 ℓ
01-001-00148*	Ø50 x H23cm	40.6 ℓ
01-001-00149*	Ø60 x H25cm	63.6ℓ

\*Products come with cutting bottom



### SAFICO Stainless Steel High Sauce Pan without Lid

Product Code	Dimension	Capacity
01-001-00258	Ø16 x H11cm	2.2 ℓ
01-001-00259	Ø20 x H12cm	3.8 ℓ
01-001-00260	Ø24 x H13cm	5.9 ℓ
01-001-00261	Ø28 x H17cm	8.6ℓ



### SAFICO Stainless Steel Shallow Sauce Pan without Lid

Product Code	Dimension	Capacity
01-001-00273	Ø16 x H7cm	1.5 ℓ
01-001-00274	Ø20 x H9cm	2.5 ℓ
01-001-00275	Ø24 x H10cm	3.8 ℓ
01-001-00276	Ø28 x H9cm	5.5ℓ



### SAFICO Stainless Steel Pasta Insert

Product Code	Dimension
02-003-00403	Ø20 x H14cm
02-003-00404	Ø24 x H20.5cm



### SAFICO Stainless Steel Steamer Insert

Product Code	Dimension
01-001-00155	24 x 12cm



#### SAFICO CAPSULE BOTTOM *Stainless Steel Conical Saute Pan*

Product Code	Dimension	Capacity
01-001-00369	Ø16 x H6cm	1.1 ℓ
01-001-00400	Ø18 x H6cm	1.4 ℓ
01-001-00370	Ø20 x H6.5cm	1.6 ℓ
01-001-00371	Ø24 x H7.5cm	2.7ℓ



#### SAFICO *Stainless Steel Lid*

Product Code	Dimension
01-001-00334	Ø16cm
01-001-00335	Ø20cm
01-001-00336	Ø24cm
01-001-00337	Ø28cm
01-001-00338	Ø32cm
01-001-00339	Ø36cm
01-001-00340	Ø40cm
01-001-00341	Ø45cm
01-001-00342	Ø50cm
01-001-00343	Ø60cm



## DE BUYER - INOCUIVRE (INDUCTION-USABLE) RANGE

The union of copper and stainless steel on induction hobs. Copper exterior ensures excellent heat diffusion. Stainless steel interior translates to ease of use and maintenance. Ergonomic cast stainless steel riveted handles.



### DE BUYER PRIMA MATERA Copper Casserole with Stainless Steel Lid Induction-Usable

Product Code 01-	Dimension Ø20	Capacity
001-00359(XX)	x H10.3cm Ø24	3.3 ℓ
01-001-00360(XX)	x H12.3cm Ø28	5.4 ℓ
01-001-00358	x H13.5cm	8.0ℓ



### DE BUYER PRIMA MATERA Copper Shallow Casserole with Stainless Steel Lid Induction-Usable

Product Code	Dimension	Capacity
01-001-00365	Ø24 x H7.4cm	3.1ℓ



### DE BUYER PRIMA MATERA Copper Saucepan Induction-Usable

Product Code	Dimension	Capacity
01-001-00208	Ø14 x H7.8cm	1.2 ℓ
01-001-00211(XX)	Ø16 x H9cm	1.8 ℓ
01-001-00209	Ø18 x H10cm	2.5 ℓ
01-001-00210	Ø20 x H11cm	3.3 ℓ
01-001-00212(XX)	Ø24 x H13cm	6.0ℓ



### DE BUYER PRIMA MATERA Copper Conical Sauteuse Pan Induction-Usable

Product Code	Dimension	Capacity
01-001-00366(XX)	Ø24 x H8.2cm	3.1ℓ



### DE BUYER PRIMA MATERA Copper Frying Pan Induction-Usable

Product Code	Dimension
01-001-00432	Ø24 x H4cm
01-001-00433(XX)	Ø28 x H3.9cm



### DE BUYER PRIMA MATERA Copper Sauteuse Induction-Usable

Product Code	Dimension	Capacity
01-001-00363	Ø16 x H5.8cm	1ℓ
01-001-00362(XX)	Ø20 x H6cm	1.8ℓ
01-001-00364	Ø24 x H7.5cm	3ℓ

## MAUVIEL COPPERWARE

Enjoy a combination of two powerful and traditional materials - copper and stainless steel. This blend of materials energizes the pleasure of cooking. The copper allows for unsurpassed heat conductivity and control. The stainless steel interior is ideal for all daily cooking needs and allows for easy maintenance. The riveted bronze handles give a thick, solid grip. Go from stove to table-top with the pleasing aesthetics of copperware. Used by s throughout the world.



**MAUVIEL M' HERITAGE Copper Stewpan with Lid & Bronze Handle  
Stainless Steel Interior**

Product Code	Dimension Ø12 x H7cm Ø16 x	Capacity
01-001-00062	H9cm Ø20 x	0.8 ℓ
01-001-00063	H10.5cm Ø24 x	3.3 ℓ
01-001-00353	H11.5cm	5.2ℓ



**MAUVIEL Copper Saucepan with Lid & Induction Base**

Product Code	Dimension	Capacity
01-001-00215(XX)	Ø10 x H4.5cm	1.1ℓ



**MAUVIEL M' HERITAGE Copper Oval Stewpan with Lid & Bronze  
Handle Stainless Steel Interior**

Product Code	Dimension	Capacity
01-001-00061	Ø30 x H12.5cm	6.6ℓ



**MAUVIEL Copper Saucepan with Induction Base**

Product Code	Dimension	Capacity
01-001-00214(XX)	Ø16 x H6cm	0.32ℓ



**MAUVIEL M' HERITAGE Copper Saucepan with Bronze Handle  
Stainless Steel Interior**

Product Code	Dimension	Capacity
01-001-00199	Ø12 x H6.5cm	0.8 ℓ
01-001-00200	Ø14 x H7cm	1.1 ℓ
01-001-01161	Ø16 x H8.5cm	1.7 ℓ
01-001-00201	Ø18 x H9cm	2.3 ℓ
01-001-00202	Ø20 x H10cm	3.2ℓ



**MAUVIEL M' HERITAGE Copper Sauteuse with Bronze Handle with  
Stainless Steel Interior**

Product Code	Dimension	Capacity
01-001-00354	Ø16 x H5cm	1.0 ℓ
01-001-00355	Ø20 x H6cm	1.8 ℓ
01-001-00356	Ø24 x H7cm	3.0ℓ



**MAUVIEL M' HERITAGE Copper Lid with Bronze Handle**

Product Code	Dimension
01-001-00293	Ø16cm
01-001-00294	Ø20cm



**MAUVIEL M' PASSION Copper Sugar Saucepan**

Product Code	Dimension	Capacity
01-001-00206	Ø14 x H8cm	1.2 ℓ
01-001-00204	Ø16 x H9cm	1.8 ℓ
01-001-00205	Ø18 x H10cm	2.5 ℓ
01-001-00207	Ø20 x H11cm	3.5ℓ



**MAUVIEL M' PASSION Copper Syrup Pan**

Product Code	Dimension	Capacity
01-001-00840(XX)	Ø26 x H3cm	4.6ℓ



**MAUVIEL M' PASSION Copper Zabagliones Pan**

Product Code	Dimension	Capacity
01-001-00841(XX)	Ø16 x H12cm	1.8 ℓ
01-001-00842(XX)	Ø20 x H14.5cm	3.5ℓ



**MAUVIEL M' HERITAGE Copper Small Saucepan with Long Bronze  
Handle Stainless Steel Interior**

Product Code	Dimension	Capacity
01-001-00203(XX)	Ø9 x H4.5cm	0.3ℓ



**MAUVIEL M' MINIS Copper Mini Saucepan with Lid and Bronze Handle  
Stainless Steel Interior**

Product Code	Dimension	Capacity
01-001-00213(XX)	Ø9 x H4.5cm	0.3ℓ



**MAUVIEL M' MINIS Copper Mini Saute Pan with Bronze Handle  
Stainless Steel Interior**

Product Code	Dimension	Capacity
01-001-00347	Ø7cm	0.1ℓ



**MAUVIEL M' MINIS Copper Splayed Saute Pan without Lid**

Product Code	Dimension	Capacity
01-001-00357	Ø9cm	0.1ℓ



**MAUVIEL M' MINIS Copper Mini Frying Pan with Bronze Handle  
Stainless Steel Interior**

Product Code	Dimension
01-001-00425	Ø12 x H2.5cm



**MAUVIEL M' HERITAGE Copper Round Frying Pan with Bronze Handle  
Stainless Steel Interior**

Product Code	Dimension
01-001-00429	Ø20 x H3cm
01-001-00430	Ø26 x H4cm
01-001-00431	Ø30 x H4cm



**MAUVIEL M' HERITAGE Copper Oval Frying Pan with Bronze Handle  
Stainless Steel Interior**

Product Code	Dimension
01-001-00426	35 x 23 x 4.5cm
01-001-00434(XX)	Ø35 x H4.2cm



**MAUVIEL M' HERITAGE Copper Round Paella Pan with Bronze  
Handles Stainless Steel Interior**

Product Code	Dimension
01-001-00593	Ø32 x H4.8cm



**MAUVIEL M' HERITAGE Copper Oval Pan with 2 Bronze Handles  
Stainless Steel Interior**

Product Code	Dimension
01-001-00349(XX)	30 x 20 x 4cm
01-001-00348	35 x 23 x 4.5cm



**MAUVIEL M' PASSION Copper Eggwhite Beating Bowl with Handle**

Product Code	Dimension	Capacity
02-002-00042(XX)	Ø26 x H13cm	4.6 ℓ
02-002-00043	Ø30 x H15cm	7.0 ℓ
02-002-00044(XX)	Ø35 x H18cm	12.0 ℓ
02-002-00045	Ø40 x H20cm	16.7 ℓ



**MAUVIEL M' PASSION Copper Eggwhite Beating Bowl with Ring**

Product Code	Dimension	Capacity
02-002-00046	Ø26 x H13cm	4.6 ℓ
02-002-00047	Ø30 x H15cm	7.0 ℓ
02-002-00048	Ø35 x H18cm	12.0 ℓ
02-002-00049	Ø40 x H20cm	16.7 ℓ



**MAUVIEL M' TRADITION Copper Hammered Fish Kettle with Grid and  
Lid**

Product Code	Dimension	Capacity
01-001-00839(XX)	60 x 15 x 13cm	10.0ℓ



**MAUVIEL Copper Polish "Copperbrill"**

Product Code	Capacity
07-004-00012	0.15ℓ

## LAVA

Every product from LAVA is unique and handmade by skilled craftsmen who have generations of experience with cast iron. Because LAVA products are handmade, there are slight variations that give that wonderful, authentic feel.



### LAVA TRENDY Cast Iron Round Mini Casserole

Dimension	Capacity	Black	Blue	Green	Light Purple	Orange	Red	Grey
Ø10 x 7cm	0.35ℓ	01-001-01171	01-001-01170	01-001-01172	01-001-01174	01-001-01175	01-001-01176	01-001-01173



### LAVA FOLK Cast Iron Round Mini Casserole

Dimension	Capacity	Black	Blue	Green	Light Purple	Orange	Red
Ø10 x 7cm	0.35ℓ	01-001-00749	01-001-00748	01-001-00750	01-001-00745	01-001-00746	01-001-00747

## ACCESSORIES

- 3 Holes Wooden Stand for Mini Casserole (55 x 19 x 7cm): 01-001-00794



### LAVA TRENDY Cast Iron Oval Mini Casserole

Dimension	Capacity	Black	Blue	Green	Orange	Red	Yellow
Ø9 x 6cm	0.42ℓ	01-001-01208	01-001-01207	01-001-01209	01-001-01210	01-001-01211	01-001-01212



### LAVA TRENDY Cast Iron Round Casserole

Dimension	Capacity	Black	Blue	Orange	Red
Ø14cm	0.8 ℓ	01-001-01214	01-001-01213	01-001-01215	01-001-01216
Ø18cm	1.7 ℓ	01-001-01218	01-001-01217		01-001-01219
Ø20cm	2.6 ℓ	01-001-01220		01-001-01221	01-001-01222
Ø24cm	4.5 ℓ	01-001-01223		01-001-01224	01-001-01225
Ø28cm	6.7 ℓ	01-001-01226		01-001-01227	01-001-01228
Ø32cm	10.0 ℓ	01-001-01229		01-001-01230	01-001-01231



#### LAVA FOLK Cast Iron Round Casserole

Dimension	Capacity	Black	Blue	Green	Light Purple	Orange	Red
Ø20cm	2.6	01-001-00707	01-001-00706	01-001-00708	01-001-00709	01-001-00710	01-001-00711
Ø24cm	ℓ	01-001-00713	01-001-00712	01-001-00714	01-001-00715	01-001-00716	01-001-00717
Ø28cm	4.5	01-001-00719	01-001-00718	01-001-00720	01-001-00721	01-001-00722	01-001-00723
	ℓ						
	6.7						
	ℓ						



#### LAVA TRENDY Cast Iron Round Low Casserole

Dimension	Capacity	Black	Red
Ø24cm	2.4	01-001-01245	01-001-01246
Ø28cm	ℓ	01-001-01247	01-001-01248
Ø32cm	3.5	01-001-01249	01-001-01250
	ℓ		
	5.7		
	ℓ		



#### LAVA FOLK Cast Iron Round Low Casserole

Dimension	Capacity	Range	Black	Blue	Green	Light Purple	Orange	Red
Ø24cm	2.4	Folk	01-001-00758	01-001-00757	01-001-00759	01-001-00760	01-001-00761	01-001-00762
Ø28cm	ℓ	Folk	01-001-00752	01-001-00751	01-001-00753	01-001-00754	01-001-00755	01-001-00756
	3.4							
	ℓ							



#### LAVA TRENDY Cast Iron Oval Casserole

Dimension	Capacity	Black	Orange	Red
21 x 32	3.2	01-001-01232	01-001-01233	01-001-01234
x 11cm 21 x 34 x	ℓ	01-001-01235	01-001-01236	01-001-01237
12cm 23 x 36 x	ℓ	01-001-01238	01-001-01239	01-001-01240
12cm 25.5 x 38.5 x	4.0	01-001-01242		01-001-01241
15cm 26.5 x 40 x	ℓ	01-001-01243		01-001-01244
12cm	4.7			
	ℓ			
	7.0			
	ℓ			
	6.4			
	ℓ			



#### LAVA FOLK Cast Iron Oval Casserole

Dimension	Capacity	Black	Blue	Green	Light Purple	Orange	Red
Ø25cm	3.3	01-001-00668	01-001-00667	01-001-00669	01-001-00670	01-001-00671	01-001-00672
Ø27cm	ℓ	01-001-00674	01-001-00673	01-001-00675	01-001-00676	01-001-00677	01-001-00678
Ø29cm	4.0	01-001-00680	01-001-00679	01-001-00681	01-001-00682	01-001-00683	01-001-00684
	ℓ						
	4.8						
	ℓ						



#### LAVA Cast Iron Multi-Purpose Casseroles with Dome Lid

Dimension	Capacity	Blue	Orange	Green	Red
Ø29.5 x 8cm	3.5ℓ	01-001-01047	01-001-01048	01-001-01049	01-001-01046



#### LAVA Cast Iron Round Casserole

Product Code	Dimension	Capacity
01-001-01045	Ø26 x 13cm	4.7ℓ

#### LAVA ECO Cast Iron Turkish Wok with Glass Lid & Metal Handle

Product Code	Dimension	Capacity	Colour
01-001-00775	Ø28cm	1.6ℓ	Black



#### LAVA Cast Iron Sauce Pan with Metal Handle

Dimension	Capacity	Black	Green	Red
Ø16cm	1.35ℓ	01-001-01180	01-001-01179	01-001-01178



#### LAVA Cast Iron Round Pan with Metal Handle

Dimension	Black	Blue	Green	Light Purple	Orange	Red
Ø16cm	01-001-00805(XX)	01-001-00804(XX)	01-001-00806(XX)	01-001-00807(XX)	01-001-00808(XX)	01-001-00809(XX)
Ø20cm	01-001-00811(XX)	01-001-00810	01-001-00812(XX)	01-001-00813(XX)	01-001-00814	01-001-00815



#### LAVA Cast Iron Round Pan with Wooden Handle

Dimension	Black	Blue	Green	Light Purple	Orange	Red
Ø24cm	01-001-00817(XX)	01-001-00816(XX)	01-001-00818(XX)	01-001-00819(XX)	01-001-00820(XX)	01-001-00821(XX)
Ø28cm	01-001-00823(XX)	01-001-00822(XX)	01-001-00824(XX)	01-001-00825(XX)	01-001-00826(XX)	01-001-00827(XX)



#### LAVA Cast Iron Rectangle Roasting Dish

Dimension	Capacity	Black	Blue	Green	Light Purple	Orange	Red
22 x 30cm	2.65ℓ	01-001-00867	01-001-00866				01-001-00868
26 x 40cm	5.0ℓ	01-001-00870	01-001-00869	01-001-00872(XX)	01-001-00873(XX)	01-001-00874(XX)	01-001-00871



#### LAVA Cast Iron Griddle Grill with Integral Metal Handle

Dimension	Blue	Red	Black
26 x 45cm	01-001-01051	01-001-01050	01-001-01164(XX)

#### LAVA ECO Cast Iron Round Pan with Wooden Underliner

Product Code	Dimension
01-001-00743	Ø12cm
01-001-00741	Ø16cm
01-001-00742	Ø20cm



#### LAVA Cast Iron Cookware Set (Deep Skillet & Frying Pan)

Product Code	Dimension
01-001-01044	Deep Skillet: Ø26cm Frying Pan: Ø26cm

#### LAVA Cast Iron Enamelled Round Dish

Dimension	Blue	Red
Ø30cm	13-002-00008	13-002-00009



#### LAVA Cast Iron Rectangle Terrine Pot

Dimension	Black	Blue	Green	Light Purple	Orange	Red
26.5 x 8.5 x 7cm	01-001-00704	01-001-00703	01-001-00801(XX)	01-001-00802(XX)	01-001-00803	01-001-00705



#### LAVA Cast Iron Grill Pan with Metal Handle

Dimension	Type	Black	Blue	Red
26 x 32cm	Rectangle	01-001-00563	01-001-00562	01-001-00564
26 x 26cm	Square	01-001-00573	01-001-00572	01-001-00574



#### LAVA ECO Cast Iron Grill Pan

Dimension	Type	Metal Handle	With Wooden Stand
21 x 30cm	Rectangle	01-001-00566	- 01-001-00701 01-
26 x 32cm	Rectangle	01-001-00700	001-00770
26 x 26cm	Square	01-001-00771	



#### LAVA ECO Cast Iron Round Grill Pan

Product Code	Dimension	
01-001-00570	Ø30cm	with Metal Handle
01-001-01162(XX)	Ø25cm	with Wire Handle
01-001-01163(XX)	Ø25cm	with Wire Handle & Wooden Platter

#### LAVA ECO Cast Iron Square Mini Grill Skillet

Product Code	Dimension	
01-001-00774	16cm	with Wooden Underliner
01-001-00773	16cm	with Wooden Serving Tray
01-001-00772	12cm	with Wooden Underliner



#### LAVA Wooden Platter with Magnetic Feature

Product Code	Dimension
01-001-00834(XX)	Ø16cm
01-001-00835(XX)	Ø20cm
01-001-00836(XX)	Ø24cm
01-001-00837(XX)	Ø28cm



**LODGE Cast Iron Skillet with Spout**

Product Code	Dimension	25.87 x
01-001-01169	16.98 x 3.49cm	32 x
01-001-00419	21.9 x 5cm	34.9 x 24.4
01-001-00420	x 5cm	40.97 x 26 x
01-001-00421	5.7cm	45.72 x 30.48 x
01-001-00417	5.71cm	51.43 x 33.65 x
01-001-00418	6.35cm	



**LODGE Round Cast Iron Grill Pan with Handle**

Product Code	Dimension
01-001-01088	10.25"



**LODGE Square Cast Iron Grill Pan with Handle**

Product Code	Dimension
01-001-01089	10.5"

## STAUB CAST IRON COOKWARE

The Staub range, a superior quality enameled cast iron cookware, is perfect for all cooks. Novices or experienced chefs will be able to recreate traditional recipes. Or use their imagination to create new ones.



### STAUB Cast Iron Round Cocotte

Dimension	Capacity	Cherry	Black
Ø10cm	0.25 ℓ	01-001-00633	01-001-00632
Ø12cm	0.4 ℓ	001-00726(XX)	
Ø14cm	0.8 ℓ	01-001-00635	01-001-00728(XX)
Ø16cm	1.4 ℓ	001-00729(XX)	
Ø18cm	1.7 ℓ	01-001-00637	01-001-00636
Ø20cm	2.2 ℓ	001-00639	01-001-00638
Ø22cm	2.6 ℓ	001-00732	01-001-00731
Ø24cm	3.8 ℓ	001-00641	01-001-00640
Ø26cm	5.25 ℓ	001-00735	01-001-00643
Ø28cm	6.7 ℓ	001-00644	01-001-00736(XX)
Ø30cm	8.35 ℓ	001-00737(XX)	01-001-00739(XX)
Ø34cm	12.6ℓ	01-001-00739(XX)	00736(XX)



### STAUB Bamboo Stand for 3 Round Mini Cocottes

Product Code	Dimension
01-001-00664(XX)	42 x 16 x 5cm



### STAUB Cast Iron Oval Cocotte

Dimension	Capacity	Cherry	Black
Ø11cm	0.25 ℓ	01-001-00607	01-001-00620
Ø15cm	0.6 ℓ		001-00685(XX)
Ø17cm	1.0 ℓ		01-001-00694(XX)
Ø23cm	2.35 ℓ	01-001-00621(XX)	01-001-00615(XX)
Ø27cm	3.2 ℓ	01-001-00609	01-001-00610
Ø29cm	4.2 ℓ	001-00686	001-00688
Ø31cm	5.5 ℓ	001-00617(XX)	001-00618(XX)
Ø33cm	6.7 ℓ	01-001-00612	01-001-00613
Ø37cm	8.0 ℓ	001-00691(XX)	001-00692(XX)
Ø41cm	12.0ℓ	01-001-00691(XX)	01-001-00693(XX)



### STAUB Cast Iron Round Shallow Cocotte

Dimension	Capacity	Cherry	Black
Ø10cm	0.25ℓ	01-001-00763(XX)	01-001-00764(XX)



### STAUB Wooden Stand for 3 Round Mini Cocottes

Product Code	Dimension
01-001-00793(XX)	42 x 16 x 5cm



### STAUB Cast Iron Saute Pan with Christera Structure

Dimension	Cherry	Black
Ø28cm	01-001-00782(XX)	01-001-00784(XX)



### STAUB Cast Iron Saute Pan with Lid

Dimension	Cherry	Black
Ø24 x H14cm	01-001-00659(XX)	01-001-00660(XX)
Ø28 x H13.2cm	001-00661(XX)	001-00662(XX)



### STAUB Cast Iron Round Pure Grill

Dimension	Black
Ø26cm	01-001-00569(XX)

\*Please enquire for other colours Stocks are available subject to availability.



ANUGERAH SINAWAN ABADI



KITCHEN KINGDOM  
hotelware & kitchenware supplies



**STAUB Cast Iron Round Grill with Silicone Handle**

Dimension	Black
Ø27cm	01-001-00571(XX)



**STAUB Cast Iron Rectangle Grill Pan with Silicone Handle**

Dimension	Black
34 x 21cm	01-001-00565(XX)



**STAUB Cast Iron American Square Grill Pan**

Dimension	Cherry	Black
26 x 26cm	01-001-00558	01-001-00557



**STAUB Cast Iron Round Hot Plate with Lid**

Dimension	Black
Ø20cm	01-001-00781(XX)



**STAUB Cast Iron Round Stackable Dish**

Dimension	Cherry	Black
Ø12 x H4.2cm		01-001-00657(XX)
Ø16 x H5cm	01-001-00654	01-001-00655
Ø20 x H5.6cm	01-001-00658(XX)	001-00656



**STAUB Cast Iron Oval Stackable Dish**

Dimension	Cherry	Black
15 x 10.7 x 5.2cm		01-001-00625(XX)
21 x 15.2 x 6cm	01-001-00626(XX)	01-001-00623
24 x 17.8 x 6.6cm	01-001-00628(XX)	01-001-00629(XX)
28 x 20 x 7cm		01-001-00624
32 x 23.3 x 7cm		01-001-00627(XX)



**STAUB Cast Iron Mini Pot without Lid**

Dimension	Black
Ø11.5 x H5.7cm	01-001-00604(XX)



**STAUB Cast Iron Mini Rectangle Dish**

Dimension	Black
15 x 11cm	01-001-00605(XX)



**STAUB Cast Iron Rectangle Roasting Dish**

Dimension	Black
33 x 26.8 x 3.5cm	01-001-00630(XX)



**STAUB Cast Iron Rectangle Serving Dish with Wooden Base Boardround**

Dimension	Black
33 x 23cm	01-001-00780(XX)

\*Please enquire for other colours Stocks are available subject to availability.



#### STAUB Ceramic Rectangular Gratin Dish

Dimension	<span style="color: red;">■</span> Cherry	<span style="color: white;">■</span> White
20 x 16cm	01-001-00799(XX)	01-001-00800(XX)



#### STAUB Cast Iron Base and Ceramic Top Tajine

Dimension	<span style="color: red;">■</span> Cherry	<span style="color: brown;">■</span> Cream
Ø28 x H20.3cm	01-001-00600(XX)	01-001-00602(XX)



#### STAUB Cast Iron Rectangle Terrine

Dimension	Capacity	<span style="color: black;">■</span> Black
15 x 11cm	0.7ℓ	01-001-00663(XX)
30 x 11cm	1.45ℓ	01-001-00631



#### STAUB Cast Iron Round Small Sauce Pan

Dimension	<span style="color: grey;">■</span> Graphite	<span style="color: black;">■</span> Black
Ø10 x H7.2cm	01-001-00649(XX)	01-001-00650(XX)
Ø14 x H15.3cm	01-001-00651(XX)	01-001-00652(XX)



#### STAUB Cast Iron Round Sauce Pan

Dimension	<span style="color: grey;">■</span> Graphite	<span style="color: black;">■</span> Black
Ø18 x H19.4cm	01-001-00646(XX)	01-001-00647(XX)



#### STAUB Cast Iron Saute Pan with Glass Lid

Dimension	<span style="color: black;">■</span> Black
Ø24cm	01-001-00788(XX)



#### STAUB Cast Iron Baby Wok with Glass Lid

Dimension	<span style="color: black;">■</span> Black
Ø16 x H10.2cm	01-001-00907(XX)



#### STAUB Cast Iron Mini Frying Pan with Handle

Dimension	<span style="color: black;">■</span> Black
Ø12cm	01-001-00666(XX)



#### STAUB Cast Iron Round Pan with Handle

Dimension	<span style="color: black;">■</span> Black
Ø28cm	01-001-00416(XX)
Ø24cm	01-001-00422(XX)



#### STAUB Cast Iron Pancake Pan with Wooden Handle

Dimension	<span style="color: black;">■</span> Black
Ø28cm	01-001-00575(XX)

\*Please enquire for other colours Stocks are available subject to availability.



### STAUB Cast Iron Round Small Sauce Pan

Dimension	Capacity	Cherry	Black
Ø16.5cm	1.15ℓ	01-001-00923(XX)	01-001-00922(XX)

## DE BUYER CHOC EXTREME

The Choc Extreme range is composed of cast aluminium cookware covered with a high end scratch-resistant non-stick coating, of superior quality. Choc Extreme cookware has a high inertia capacity and is perfect for simmering and stewing. Range suitable for induction cooking,



### DE BUYER CHOC EXTREME Cast Aluminium Non-Stick Casserole with Glass Lid

Product Code	Dimension	Capacity
01-001-00150	Ø24 x H9.5cm	4.7 ℓ
01-001-00151	Ø28 x H12cm	7.0ℓ



### DE BUYER CHOC EXTREME Cast Aluminium Non-Stick Low Casserole

Product Code	Dimension	Capacity
01-001-00152	Ø20 x H7.5cm	1.78 ℓ
01-001-00153	Ø24 x H7.5cm	2.68 ℓ
01-001-00154	Ø28 x H7.5cm	3.78ℓ



### DE BUYER CHOC EXTREME Cast Aluminium Non-Stick Frying Pan with Stainless Steel Handle

Product Code	Dimension
01-001-00543	Ø20 x H4.5cm
01-001-00544	Ø24 x H4.5cm
01-001-00542	Ø28 x H4.5cm
01-001-00545	Ø32 x H4.5cm
01-001-00546	Ø36 x H4.5cm



### DE BUYER CHOC EXTREME Cast Aluminium Non-Stick Frying Pan with Cast Stainless Steel Handle

Product Code	Dimension
01-001-00539	Ø20 x H3.7cm
01-001-00538	Ø24 x H4.5cm
01-001-00540	Ø28 x H4cm
01-001-00541	Ø32 x H3.7cm

## LACOR CAST ALUMINIUM



### LACOR Cast Aluminium Round Casserole

Product Code	Dimension Ø16	Capacity
01-001-01150	x H7cm Ø20 x	1.3 ℓ
01-001-01151	H8cm Ø24 x	2.4 ℓ
01-001-01152	H10cm Ø28 x	4.2 ℓ
01-001-01154	H11.5cm	6.7ℓ



### LACOR Cast Aluminium Oval Casserole

Product Code	Dimension	Capacity
01-001-01153	26 x 20 x 9cm	3.5 ℓ
01-001-01155	31 x 25 x 11cm	6.3ℓ



#### LACOR Aluminium Stock Pot with Lid

Product Code	Dimension	Capacity
01-001-01156	Ø50 x H50cm	100.0 ℓ
01-001-01157	Ø55 x H55cm	130.0 ℓ
01-001-01158	Ø60 x H60cm	170.0ℓ



#### LACOR ROBUST Aluminium Heavy-Duty Pressure Cooker

Product Code	Dimension	Capacity
01-001-00926	Ø42 x H31cm	30.0 ℓ
01-001-01159	Ø42 x H46cm	50.0ℓ



#### ALEGACY OPTIMA III Aluminium Stock Pot

Product Code	Dimension	Ø9.1/2	Capacity
01-001-00003	x H8.1/4"	Ø10	9.5ℓ
01-001-00001	H9.1/4" x Ø11	x	11.4ℓ
01-001-00002	H10" x Ø12	x H11"	15.1ℓ
01-001-00004	Ø12.1/2 x H11.3/8"		18.9ℓ
01-001-00005	Ø14 x H13"		22.7ℓ
01-001-00006	Ø14.1/2 x H14.1/4"		30.3ℓ
01-001-00007	Ø17.1/4 x H16"		37.9ℓ
01-001-00008	Ø19 x H16.3/4"		56.8ℓ
01-001-00009			75.7ℓ



#### ALEGACY OPTIMA III Aluminium Lid

Product Code	Dimension	For	01-001-
01-001-00283	Ø9.1/2"	00003	01-
01-001-00284	Ø10" Ø11"	001-00001	
01-001-00285	Ø12"	01-001-00002	
01-001-00286	Ø12.1/2"	01-001-00004	
01-001-00287	Ø14"	01-001-00005	
01-001-00288	Ø14.1/2"	01-001-00006	
01-001-00289	Ø17.1/4"	01-001-00007	
01-001-00290	Ø19"		
01-001-00291		01-001-00008	
		01-001-00009	



#### ALEGACY OPTIMA III Aluminium Sauce Pan

Product Code	Dimension	Ø6 x	Capacity
01-001-00194	H3.1/2" x Ø7.5/8"	x	1.4 ℓ
01-001-00195	H4" x Ø9 x H4" x Ø9"		2.6 ℓ
01-001-00192	x H5" x Ø9.3/4"	x	3.5 ℓ
01-001-00193	H5" x Ø10.1/2"	x	4.2 ℓ
01-001-00196	H5.1/4"		5.2 ℓ
01-001-00197			6.6ℓ



#### ALEGACY OPTIMA III Aluminium Lid

Product Code	Dimension	For	01-001-
01-001-00277	Ø6"	00194	01-
01-001-00278	Ø7.5/8"	001-00195	
01-001-00279	Ø9" x Ø9"	01-001-00192	
01-001-00280	Ø9.3/4"	01-001-00193	
01-001-00281	Ø10.1/2"	01-001-00196	
01-001-00282		01-001-00197	



#### Stainless Steel Bain Marie (Square)

Product Code	Dimension	Capacity
01-001-00163	15.5 x 15.5 x 7.5cm	1.5 ℓ
01-001-00166	15.5 x 15.5 x 16cm	3.8 ℓ
01-001-00167	15.5 x 15.5 x 23.5cm	5.0 ℓ
01-001-00164	24 x 24 x 7.5cm	4.0 ℓ
01-001-00165	24 x 24 x 16cm	9.0 ℓ
01-001-00162	24 x 24 x 23.5cm	13.0ℓ



#### Stainless Steel Lid for Bain Marie (Square)

Product Code	Dimension	For
01-001-00158	15.5 x 15.5cm (Square)	01-001-00163 01-001-00166 01-001-00167
01-001-00157	24 x 24cm (Square)	01-001-00164 01-001-00165 01-001-00162



#### Stainless Steel Bain Marie (Rectangle)

Product Code	Dimension	Capacity
01-001-00161	15.5 x 5.5cm	0.5 ℓ
01-001-00159	10.5 x 7.5cm	1.0 ℓ
01-001-00160	10.5 x 16cm	2.5ℓ



#### Stainless Steel Lid for Bain Marie (Rectangle)

Product Code	Dimension	For
01-001-00156	15.5 x 10.5cm (Rectangle)	01-001-00161 01-001-00159 01-001-00160



#### Stainless Steel Bain Marie Pot

Product Code	Dimension	Capacity
01-001-00188	Ø17.5 x H21cm	3.8 ℓ
01-001-00189	Ø22.5 x H22cm	6.6 ℓ
01-001-00190	Ø27 x H21.5cm	10.4ℓ



#### Stainless Steel Cover for Brain Marie Pot

Product Code	Type	Cover	For	01-001-
01-001-00169	Cover	Cover	00188	01-
01-001-00170	Flexible	Cover	001-00189	
01-001-00168	Flexible	Cover	01-001-00190	
01-001-00186			01-001-00189	
01-001-00187			01-001-00190	



#### Stainless Steel Bain Marie Pot

Product Code	Dimension	Capacity
01-001-00171	Ø10.5 x H14cm	1.2 ℓ
01-001-00172	Ø12.8 x H17cm	1.9 ℓ
01-001-00173	Ø15.5 x H18cm	3.3 ℓ
01-001-00174	Ø16.5 x H19cm	4.0 ℓ
01-001-00175	Ø18 x H21.5cm	5.7 ℓ
01-001-00176	Ø20 x H24.5cm	7.8 ℓ
01-001-00177	Ø23 x H26.5cm	11.4ℓ

#### Stainless Steel Cover for Brain Marie Pot

Product Code	For	01-001-
01-001-00179	00171	01-
01-001-00180	001-00172	
01-001-00181	01-001-00173	
01-001-00182	01-001-00174	
01-001-00183	01-001-00175	
01-001-00184	01-001-00176	
01-001-00185	01-001-00177	



#### LACOR Stainless Steel Fish Kettle with Grill and Lid

Product Code	Dimension	Capacity
001-00975(XX)	17 x 9.5cm	10.0 ℓ
01-001-00976(XX)	17.5 x 11cm	13.8 ℓ
01-001-00973	19.5 x 12cm	20.8ℓ



#### LACOR Aluminium Fish Kettle with Grill and Lid

Product Code	Dimension	Capacity
01-001-00974(XX)	70 x 22 x 20.8cm	14.5ℓ

## FRYING PANS



### LACOR CHEF CLASSIC Stainless Steel Frying Pan

Product Code	Dimension
01-001-00443	Ø20 x H4cm
01-001-00444	Ø24 x H4.5cm
01-001-00445	Ø28 x H5.5cm
01-001-00446	Ø32 x H6cm
01-001-00447	Ø36 x H6.5cm
01-001-00448	Ø40 x H6.5cm



### SAFICO Stainless Steel Frying Pan

Product Code	Dimension
01-001-00455	Ø20 x H4.5cm
01-001-00456	Ø24 x H5cm
01-001-00457	Ø28 x H5cm
01-001-00458	Ø32 x H5.5cm
01-001-00459	Ø36 x H6.5cm
01-001-00460	Ø40 x H7cm



### EAGLEWARE Aluminium Frying Pan with Insulating Grip

Product Code	Dimension
01-001-00406	Ø7" / 18cm
01-001-00407	Ø8" / 20cm
01-001-00408	Ø10" / 25cm
01-001-00409	Ø12" / 30cm
01-001-00410	Ø14" / 35cm



### ALEGACY OPTIMA III Aluminium Frying Pan with Insulating Handle

Product Code	Dimension
01-001-00411	Ø7" / 17.5cm
01-001-00412	Ø8" / 20cm
01-001-00413	Ø10" / 25cm
01-001-00414	Ø12" / 30cm
01-001-00415	Ø14" / 35cm



### DE BUYER Blue Steel Lyonnaise Frying Pan

Product Code	Dimension
01-001-00477	Ø18 x H4cm
01-001-00478	Ø20 x H4.2cm
01-001-00480	Ø24 x H8cm
01-001-00481	Ø26 x H5cm
01-001-00482	Ø28 x H5.1cm
01-001-00483	Ø30 x H5.5cm
01-001-00476	Ø32 x H5.8cm
01-001-00484	Ø36 x H6.2cm
01-001-00485	Ø40 x H7cm
01-001-00486	Ø45 x H7.5cm



### DE BUYER CARBONE PLUS Black Steel Heavy Duty Lyonnaise Frying Pan

Product Code	Dimension
01-001-00471	Ø20 x H3.3cm
01-001-00470	Ø24 x H3.9cm
01-001-00472	Ø28 x H4cm



### LACOR Black Steel Frying Pan

Product Code	Dimension
01-001-00938	Ø20 x H3.5cm
01-001-00934	Ø24 x H4.5cm
01-001-00935	Ø28 x H5cm
01-001-00936	Ø32 x H5.3cm
01-001-00937	Ø36 x H5.5cm
01-001-00939	Ø40 x H5.8cm



#### LACOR CHEF CLASSIC Stainless Steel Non-Stick Frying Pan

Product Code	Dimension
01-001-00547	Ø20 x H4cm
01-001-00548	Ø24 x H4.5cm
01-001-00549	Ø28 x H5.5cm
01-001-00550	Ø32 x H6cm
01-001-00551	Ø36 x H6.5cm
01-001-00454	Ø40 x H6.5cm



#### SAFICO Stainless Steel Non-Stick Frying Pan

Product Code	Dimension
01-001-00552	Ø20 x H4.5cm
01-001-00553	Ø24 x H4.5cm
01-001-00554	Ø28 x H5cm
01-001-00555	Ø32 x H5.5cm



#### DE BUYER CHOC Aluminium Non-Stick Fry-Pan

Dimension	Induction	Black	Blue	Yellow	Green	Red
Ø20 x H3cm	Induction	01-001-01068	01-001-01060	01-001-01056	01-001-01064	01-001-01052
	Non-Induction	01-001-00523	01-001-00507	01-001-00520	01-001-00511	01-001-00515
Ø24 x H3.5cm	Induction	01-001-01069	01-001-01061	01-001-01057	01-001-01065	01-001-01053
	Non-Induction	01-001-00524	01-001-00508	01-001-00521	01-001-00513	01-001-00516
Ø28 x H4cm	Induction	01-001-01070	01-001-01062	01-001-01058	01-001-01066	01-001-01054
	Non-Induction	01-001-00525	01-001-00509	01-001-00519	01-001-00512	01-001-00517
Ø32 x H4.5cm	Induction	01-001-01071	01-001-01063	01-001-01059	01-001-01067	01-001-01055
	Non-Induction	01-001-00526	01-001-00510	01-001-00522	01-001-00514	01-001-00518
Ø36 x H4.8cm	Induction	01-001-01072				
	Non-Induction	01-001-00527				
Ø40 x H5.4cm	Induction					
	Non-Induction	01-001-00528				



#### DE BUYER CHOC Aluminium Non-Stick Fry Pan with Special Handle for Oven Cooking at High Temperature

Product Code	Dimension
01-001-01075	Ø20 x H3cm
01-001-01076	Ø24 x H3.5cm
01-001-01077	Ø28 x H3.8cm



#### DE BUYER CHOC Non-Stick Conical Saute Pan

Product Code	Dimension
01-001-00404	Ø24cm
01-001-00405	Ø28cm



#### ALEGACY EAGLEWARE Aluminium Non-Stick Frying Pan

Product Code	Dimension
01-001-00498	Ø7" / 18cm
01-001-00499	Ø8" / 20cm
01-001-00500	Ø10" / 25cm
01-001-00501	Ø12" / 30cm
01-001-00502	Ø14" / 35cm



#### ZEBRA GEMINI Aluminium Non-Stick Deep Frying Pan

Product Code	Dimension
01-001-00503	Ø26 x H8cm
01-001-00505	Ø30 x H8.5cm



#### ZEBRA GEMINI Aluminium Non-Stick Frying Pan

Product Code	Dimension
01-001-00496	Ø24 x H5.5cm
01-001-00497	Ø28 x H6cm



#### LACOR Aluminium Non-Stick Paella Pan

Product Code	Dimension
01-001-00957	Ø24 x H4cm
01-001-00958	Ø28 x H4.5cm
01-001-00959	Ø32 x H5cm
01-001-00960	Ø36 x H5.5cm
01-001-00961	Ø40 x H6cm



#### LACOR Alum Non-Stick Frying Pan

Product Code	Dimension
01-001-00947	Ø20 x H4cm
01-001-00927	Ø24 x H4.5cm
01-001-00928	Ø26 x H4.5cm
01-001-00948	Ø28 x H4.5cm
01-001-00929	Ø32 x H5cm
01-001-00930	Ø36 x H5.5cm
01-001-00941	Ø40 x H6cm
01-001-00942	Ø16 x H3.5cm
01-001-00943	Ø20 x H4cm
01-001-00944	Ø24 x H4.5cm
01-001-00945	Ø28 x H4.5cm
01-001-00946	Ø32 x H4.7cm
01-001-00940	Ø36 x H5.5cm
01-001-00932	Ø40 x H5.5cm



#### ALEGACY OPTIMA III Aluminium Non-Stick Frying Pan with Insulating Handle

Product Code	Dimension
01-001-00533	Ø7" / 17.5cm
01-001-00535	Ø8" / 20cm
01-001-00536	Ø10" / 25cm
01-001-00537	Ø12" / 30cm
01-001-00534	Ø14" / 35cm



#### DE BUYER Aluminium Non-Stick Paella Pan

Product Code	Dimension
01-001-00598	Ø36 x H4.8cm
01-001-00599	Ø40 x H5.4cm



#### LACOR SIS Paella Pan

Product Code	Dimension
01-001-00966	Ø30 x H4.5cm
01-001-00965	Ø34 x H5cm
01-001-00963	Ø38 x H5.5cm
01-001-00962	Ø42 x H6cm



#### LACOR Black Steel Paella Pan

Product Code	Dimension
01-001-00970	Ø20 x H4cm
01-001-00967	Ø24 x H4.5cm
01-001-00971	Ø28 x H4.5cm
01-001-00968	Ø32 x H5cm
01-001-00964	Ø36 x H5.5cm
01-001-00969	Ø40 x H6cm



#### LACOR Aluminium Non-Stick Crepe Pan

Product Code	Dimension
01-001-00949	Ø22cm
01-001-00951	Ø26cm
01-001-00953	Ø30cm



#### LACOR Aluminium Non-Stick Blinis Pan

Product Code	Dimension
01-001-00956	Ø12cm
01-001-00954	Ø14cm



#### DE BUYER Black Steel Heavy-Duty Blinis Pan

Product Code	Dimension
01-001-00988	Ø12 x H2cm



#### DE BUYER AFFINITY Stainless Steel Mini Frying Pan

Product Code	Dimension
01-001-00468	Ø10 x H4.3cm



#### DE BUYER CHOC Aluminium Non-Stick Crepe Pan

Dimension	Induction	Product Code
Ø22cm	Induction	
	Non-Induction	01-001-00582
Ø26cm	Induction	01-001-01073
	Non-Induction	01-001-00583
Ø30cm	Induction	01-001-01074
	Non-Induction	01-001-00584



#### DE BUYER Aluminium Non-Stick Blinis Pan

Product Code	Dimension
01-001-00590	Ø12cm
01-001-00591	Ø14cm



#### LACOR Black Steel Non-Stick Blinis Pan

Product Code	Dimension
01-001-00955	Ø12 x H2.5cm



#### LACOR Black Steel Non-Stick Crepe Pan

Product Code	Dimension
01-001-00950	Ø22 x H1.8cm
01-001-00952	Ø26 x H2cm



#### DE BUYER CARBONE PLUS *Black Steel Heavy-Duty Oval Frying Pan*

Product Code	Dimension
01-001-00473(XX)	32 x 23.5 x 4.6cm
01-001-00474(XX)	36 x 26.5 x 4.8cm



#### DE BUYER CARBONE PLUS *Black Steel Rectangle Frying Pan*

Product Code	Dimension
01-001-00475(XX)	38 x 26 x 4.5cm



#### LACOR ROBUST *Alum Non-Stick Oval Frying Pan*

Product Code	Dimension
01-001-00931	36 x 26 x 5.2cm
01-001-00933	40 x 29 x 5.7cm



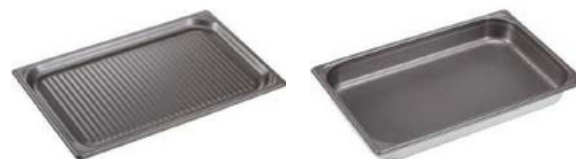
#### DE BUYER CHOC *Aluminium Non-Stick Frying Pan*

Product Code	Dimension	Shape
01-001-00529(XX)	36 x 26 x 4.3cm	Oval
01-001-00530(XX)	40 x 28 x 4.5cm	Oval
01-001-00532	38 x 26 x 4.2cm	Rectangle



#### *Non-Stick Frying Pan*

Product Code	Dimension
01-001-01030	Ø18cm
01-001-01031	Ø20cm
01-001-01032	Ø22cm
01-001-01033	Ø24cm
01-001-01034	Ø26cm
01-001-01035	Ø28cm
01-001-01036	Ø30cm
01-001-01037	Ø32cm



#### *Non-Stick Alum Standard Grill Pan*

Product Code	Dimension	
01-001-01025	53 x 32.5 x 2cm	GN 1/1
01-001-01026	35.4 x 32.5 x 2cm	GN 2/3



#### *Non-Stick Alum Premium Multi-Functional Grill Tray*

Product Code	Dimension	
01-001-01027	53 x 32.5 x 8cm	GN 1/1
01-001-01028	35.4 x 32.5 x 8cm	GN 2/3

## ASIAN COOKWARE

**DE BUYER INOX Stainless Steel Wok with 1 Handle (Induction-Usable)**

Product Code	Dimension
01-002-00033	Ø36 x 63.5 x 9.5cm

**DE BUYER CARBONE PLUS Steel Wok (Induction-Usable)**

Product Code	Dimension
01-002-00034(XX)	Ø35.5 x H9cm

**LACOR ROBUST Alum Non-Stick Wok**

Product Code	Dimension
01-001-00972	Ø30cm

**DE CHOC Aluminium Non-Stick Wok**

Product Code	Dimension	Capacity
01-001-00914(XX)	Ø32 x H9cm	3.5l

**STAUB Cast Iron Wok with Glass Lid**

Product Code	Dimension	Colour
01-001-00909	Ø37 x H18cm	Black
01-001-00910	Ø37 x H21.3cm	Cherry
01-001-00911(XX)	Ø37 x H18cm	Graphite

**CCK One Handle Stainless Steel Wok with Wooden Handle**

Product Code	Dimension
01-002-00092	Ø13" Ø14"
01-002-00093	Ø15" Ø16"
01-002-00094	
01-002-00095	

**CCK One Handle Iron Wok with Wooden Handle**

Product Code	Dimension
01-002-00087	Ø13" Ø14"
01-002-00088	Ø15" Ø16"
01-002-00089	Ø18"
01-002-00090	
01-002-00091	

**Heavy Duty Iron Wok with 1 Handle**

Product Code	Dimension
01-002-00096	Ø13" Ø14"
01-002-00097	Ø15" Ø16"
01-002-00098	
01-002-00099	



#### Heavy Duty Iron Wok with 1 Handle

Product Code	Dimension
01-002-00100	Ø12" Ø13"
01-002-00101	Ø14" Ø15"
01-002-00102	Ø16"
01-002-00103	
01-002-00104	



#### Heavy Duty Iron Wok Deep

Product Code	Dimension
01-002-00075	Ø14" Ø15"
01-002-00076	Ø16" Ø17"
01-002-00077	Ø18"
01-002-00078	
01-002-00079	



#### Light Duty Iron Wok

Product Code	Dimension	
01-002-00023	Ø15" Ø15"	Deep
01-002-00024	Ø16" Ø17"	Shallow
01-002-00025	Ø18" Ø20"	Deep
01-002-00026	Ø22" Ø24"	Deep
01-002-00027	Ø26" Ø28"	Deep
01-002-00028		Deep
01-002-00029		Deep
01-002-00030		Deep
01-002-00031		Deep
01-002-00032		Deep



#### CCK Heavy Duty Stainless Steel Wok

Product Code	Dimension
01-002-00046	Ø14" (Depth 5" x 1.2mm)
01-002-00047	Ø15" (Depth 5.25" x 1.2mm)
01-002-00048	Ø16" (Depth 5.5" x 1.2mm)



#### CCK Heavy Duty Iron Wok

Product Code	Dimension
01-002-00013	Ø14" (Depth 5" x 1.2mm)
01-002-00014	Ø15" (Depth 5.25" x 1.2mm)
01-002-00015	Ø16" (Depth 5.5" x 1.2mm)
01-002-00016	Ø17" (Depth 5.75" x 1.2mm)
01-002-00017	Ø18" (Depth 6" x 1.2mm)
01-002-00018	Ø20" (Depth 6.9" x 1.3mm)
01-002-00019	Ø22" (Depth 7" x 1.6mm)
01-002-00020	Ø24" (Depth 7.5" x 1.6mm)
01-002-00021	Ø26" (Depth 8.5" x 2mm)
01-002-00022	Ø28" (Depth 10.5" x 2mm)



#### CCK Light Duty Stainless Wok

Product Code	Dimension
01-002-00049	Ø14" (Depth 4" x 1mm)
01-002-00050	Ø15" (Depth 4.25" x 1mm)
01-002-00051	Ø16" (Depth 4.5" x 1.2mm)



#### Iron Frying Wok Heavy Duty

Product Code	Dimension
01-002-00067	Ø16" Ø18"
01-002-00068	Ø19" Ø20"
01-002-00069	
01-002-00070	



#### Iron Wok

Product Code	Dimension
01-002-00062	Ø15" Ø16"
01-002-00063	Ø17" Ø18"
01-002-00064	Ø20"
01-002-00065	
01-002-00066	



#### Iron Frying Wok Heavy Duty

Product Code	Dimension
01-002-00037	Ø16" Ø18"
01-002-00038	Ø19" Ø20"
01-002-00039	Ø22" Ø24"
01-002-00040	Ø26" Ø28"
01-002-00041	Ø30"
01-002-00042	
01-002-00043	
01-002-00044	
01-002-00045	



#### CCK Iron Frying Wok Heavy Duty

Product Code	Dimension
01-002-00002	Ø16" Ø18"
01-002-00003	Ø19" Ø20"
01-002-00004	Ø22" Ø24"
01-002-00005	Ø26" Ø28"
01-002-00006	Ø30" Ø33"
01-002-00007	Ø36"
01-002-00008	
01-002-00009	
01-002-00010	
01-002-00011	
01-002-00012	



#### Black Enamel Wok

Product Code	Dimension
01-002-00080	Ø30cm
01-002-00081	Ø34cm
01-002-00082	Ø36cm
01-002-00083	Ø38cm
01-002-00084	Ø40cm
01-002-00085	Ø43cm
01-002-00086	Ø46cm



#### Iron Frying Wok

Product Code	Dimension
01-002-00053	Ø15" Ø16"
01-002-00054	Ø17" Ø18"
01-002-00055	Ø19" Ø20"
01-002-00056	Ø22" Ø24"
01-002-00057	Ø26"
01-002-00058	
01-002-00059	
01-002-00060	
01-002-00061	



#### CCK 18-8 Stainless Steel Wok Cover

Product Code	Dimension
01-002-00112	Ø14" Ø15"
01-002-00113	Ø16"
01-002-00114	



#### EAGLE Stainless Steel Wok Cover

Product Code	Dimension
01-002-00107	Ø30cm
01-002-00108	Ø33cm
01-002-00109	Ø35cm
01-002-00110	Ø38cm
01-002-00111	Ø40cm



#### Stainless Steel Wok Stand

Product Code	Dimension
01-002-00001	Ø30cm



#### AG Stainless Steel Round Kitchen Pot with Graduated Marking (With Handles)

Product Code	Dimension	Capacity
01-002-00533	Ø22 x H20cm	6.2ℓ
01-002-00534	Ø22 x H22cm	8.3ℓ
01-002-00535	Ø24 x H24cm	11.0ℓ
01-002-00536	Ø26 x H26cm	13.0ℓ
01-002-00537	Ø28 x H28cm	17.0
01-002-00538	Ø30 x H30cm	21.0ℓ



#### AG Stainless Steel Round Kitchen Pot with Handles

Product Code	Dimension	Capacity
01-002-00539	Ø33 x H33cm	26.0 ℓ
01-002-00540	Ø36 x H36cm	36.0ℓ



#### ZEBRA Stainless Steel Stock Pot

Product Code	Dimension	Capacity
01-002-00182	Ø28 x H28cm	17.0 ℓ
01-002-00183	Ø32 x H32cm	25.0 ℓ
01-002-00184	Ø36 x H36cm	36.0 ℓ
01-002-00185	Ø40 x H40cm	50.0ℓ



#### CCK Stainless Steel Stock Pot with Lid

Product Code	Dimension	Capacity
01-002-00134	Ø12 x 13"	220 ℓ
01-002-00135	Ø13 x 14"	29.0 ℓ
01-002-00136	Ø14 x 16"	38.0 ℓ
01-002-00137	Ø16 x 18"	56.0ℓ
01-002-00138	Ø18 x 20"	80.0 ℓ 87.0 ℓ
01-002-00139	Ø18 x 22"	
01-002-00140	Ø19 x 24"	106.0ℓ 108.0ℓ
01-002-00141	Ø20 x 22"	
01-002-00142	Ø20 x 26"	127.0ℓ 147.0ℓ
01-002-00143	Ø20 x 30"	
01-002-00144	Ø20 x 36"	176.0ℓ 142.0ℓ
01-002-00145	Ø22 x 24"	



#### Stainless Steel Stock Pot with Recessed Handle

Product Code	Dimension
01-002-00163	Ø20 x H20cm
01-002-00164	Ø25 x H25cm
01-002-00165	Ø30 x H30cm
01-002-00166	Ø35 x H35cm
01-002-00167	Ø40 x H40cm
01-002-00168	Ø45 x H45cm
01-002-00169	Ø50 x H50cm



#### Stainless Steel Stock Pot with Lid

Product Code	Dimension	Capacity
01-002-00170	Ø20 x H20cm	6.0ℓ
01-002-00171	Ø25 x H25cm	12.0ℓ
01-002-00172	Ø30 x H30cm	21.0ℓ
01-002-00174	Ø35 x H35cm	33.0ℓ
01-002-00175	Ø40 x H40cm	50.0ℓ
01-002-00176	Ø45 x H45cm	71.0ℓ
01-002-00118	Ø50 x H50cm	98.0ℓ
01-002-00119	Ø50 x H60cm	117.0ℓ
01-002-00120	Ø55 x H55cm	130.0ℓ
01-002-00121	Ø60 x H60cm	170.0ℓ
01-002-00122	Ø60 x H70cm	200.0ℓ
01-002-00123	Ø60 x H80cm	230.0ℓ
01-002-00124	Ø70 x H70cm	260.0ℓ



#### Stainless Steel Loop Handle Pot with Recessed Handle

Product Code	Dimension
01-002-00189	Ø25 x H25cm
01-002-00190	Ø28 x H28cm
01-002-00191	Ø30 x H30cm
01-002-00192	Ø35 x H35cm



#### Stainless Steel Footed Loop Handle Pot with Recessed Handle

Product Code	Dimension
01-002-00186	Ø25 x H25cm
01-002-00187	Ø30 x H30cm
01-002-00188	Ø35 x H35cm



#### CCK Stainless Steel Noodle Soup Pot

Product Code	Dimension
02-002-00229	Ø15 x 13"



#### CCK Stainless Steel Soup Container / Basin

Product Code	Dimension
01-002-00210	Ø13" Ø14"
01-002-00211	Ø15" Ø16"
01-002-00212	Ø17"
01-002-00213	
01-002-00215	



#### Stainless Steel Low Casserole with Recessed Handle

Product Code	Dimension	Capacity
01-002-00195	Ø30 x H13cm	9.0 ℓ
01-002-00177	Ø30 x H20cm	14.0 ℓ
01-002-00178	Ø35 x H22cm	21.0 ℓ
01-002-00179	Ø40 x H24cm	30.0ℓ



#### CCK Stainless Steel Shark's Fin Pot with Tap, Plate and Lid

Product Code	01-	Dimension	Capacity
002-00132(XX)		Ø18 x 22"	87.0 ℓ
01-002-00125	01-	Ø18 x 26"	103.0 ℓ
002-00126	01-	Ø18 x 28"	111.0 ℓ
002-00127	01-	Ø20 x 26"	127.0 ℓ
002-00128	01-	Ø20 x 30"	147.0 ℓ
002-00129	01-	Ø20 x 36"	176.0 ℓ
002-00133(XX)		Ø22 x 30"	147.0 ℓ
01-002-00130	01-	Ø22 x 32"	190.0 ℓ
002-00131		Ø22 x 36"	214.0ℓ



#### CCK Stainless Steel Noodle Soup Pot with Compartments

Product Code	Dimension	Compartments
01-002-00218(XX)	Ø15 x 13"	2 3
01-002-00217	Ø15 x 13"	



#### CCK Stainless Steel Soup Container Rack

Product Code	Dimension
01-002-00214	16"



#### Stainless Steel High Casserole with Recessed Handle

Product Code	Dimension	Capacity
01-002-00180	Ø45 x H26cm	41.0 ℓ
01-002-00181	Ø50 x H28cm	55.0ℓ



#### ZEBRA Stainless Steel Casserole

Product Code	Dimension	Capacity
01-002-00193	Ø28 x H20cm	12.0 ℓ
01-002-00194	Ø32 x H23cm	18.5ℓ



#### ZEBRA Stainless Steel Indian Pan

Product Code	Dimension	Capacity
01-002-00196	Ø14 x H8cm	1.2ℓ
01-002-00197	Ø16 x H9cm	1.8ℓ
01-002-00198	Ø18 x H10cm	2.6ℓ
01-002-00199	Ø20 x H11cm	3.5ℓ
01-002-00200	Ø22 x H12cm	4.6ℓ
01-002-00201	Ø24 x H13cm	5.9ℓ
01-002-00202	Ø26 x H14cm	7.4ℓ
01-002-00203	Ø28 x H15cm	9.2ℓ
01-002-00204	Ø30 x H16cm	11.2ℓ
01-002-00205	Ø32 x H17cm	13.7ℓ



#### CAM Aluminium Loop Handle Pot

Product Code	Dimension	Capacity
01-002-00206	Ø32 x H25cm	30.0pt
01-002-00207	Ø34 x H27cm	36.0pt
01-002-00208	Ø38 x H29cm	40.0pt



#### AG Stainless Steel Round Kitchen Pot with Graduated Marking (Without Handles)

Product Code	Dimension	Capacity
01-002-00555	Ø10 x H10cm	700m ℓ
01-002-00556	Ø12 x H12cm	1.4 ℓ
01-002-00557	Ø14 x H14cm	2.1 ℓ
01-002-00558	Ø16 x H16cm	3.3 ℓ
01-002-00559	Ø18 x H18cm	4.5ℓ



#### AG Stainless Steel Square Kitchen Pot with Graduated Marking

Product Code	Dimension 8 x 8 x	Capacity	
01-002-00548	8cm 10.5 x 10.5 x	460m ℓ	Without Handles
01-002-00549	10.5cm 12 x 12 x	1.1 ℓ	
01-002-00550	12cm 13.5 x 13.5 x	1.6 ℓ	
01-002-00551	13.5cm 16.5 x 16.5 x	2.3 ℓ	
01-002-00552	16.5cm 18 x 18 x	4.2 ℓ	
01-002-00553	18cm 19 x 19 x	5.3 ℓ	With Handles
01-002-00543	19cm 21 x 21 x	6.4 ℓ	
01-002-00544	21cm 24 x 24 x	8.6 ℓ	
01-002-00545	24cm 27 x 27 x	12.6 ℓ	
01-002-00546	27cm 30 x 30 x	18.0 ℓ	
01-002-00547	30cm	25.0ℓ	



#### EAGLE Aluminium S.Thick Indian Pan without Handle

Product Code	Dimension
01-002-00740	Ø30cm
01-002-00741	Ø32cm
01-002-00742	Ø34cm
01-002-00743	Ø36cm
01-002-00744	Ø38cm
01-002-00745	Ø40cm
01-002-00746	Ø42cm
01-002-00747	Ø44cm
01-002-00748	Ø46cm
01-002-00749	Ø48cm
01-002-00750	Ø50cm



#### EAGLE Aluminium S.Thick Big Indian Pan with 2 Handles

Product Code	Dimension
01-002-00751	Ø50cm
01-002-00752	Ø55cm
01-002-00753	Ø60cm
01-002-00754	Ø65cm
01-002-00755	Ø70cm



#### CCK Aluminium 3-Rings Stew Pan with Cover and Handle

Product Code	Dimension
01-002-00223	Ø16cm
01-002-00224	Ø18cm
01-002-00225	Ø20cm
01-002-00226	Ø16cm
01-002-00227	Ø18cm
01-002-00228	Ø20cm



#### AKAO Yukihira Pot

Product Code	Dimension
01-002-00725	Ø15cm
01-002-00726	Ø17cm
01-002-00727	Ø18cm
01-002-00728	Ø20cm
01-002-00729	Ø21cm
01-002-00730	Ø23cm
01-002-00731	Ø24cm
01-002-00732	Ø26cm
01-002-00733	Ø27cm
01-002-00734	Ø30cm



#### Aluminium Yukihira Pan

Product Code	Dimension
01-002-00628	Ø16cm
01-002-00629	Ø18cm
01-002-00630	Ø20cm
01-002-00631	Ø22cm
01-002-00632	Ø24cm



#### AKAO Aluminium Cooking Pot

Product Code	Dimension
01-002-00722	Ø30cm
01-002-00723	Ø33cm
01-002-00724	Ø36cm



#### Aluminium Egg Pan with Handle and Lid

Product Code	Dimension
01-002-00623	Ø16cm



#### Copper Tempura Pan

Product Code	Dimension
01-002-00735	Ø39cm
01-002-00736	Ø42cm
01-002-00737	Ø45cm



**Rectangle Non-Stick Tamago Pan with Bakelite Handle**

Product Code	Dimension
01-002-00621	13 x 18cm



**Copper Rectangle Tamago Pan with Wooden Handle**

Product Code	Dimension
01-002-00622	19 x 14cm



**ZEBRA Stainless Steel Steaming Set 4pcs**

Product Code	Dimension
01-002-00329	Ø28 x 44cm
01-002-00330	Ø32 x 47cm
01-002-00331	Ø36 x 52cm
01-002-00332	Ø40 x 56cm
01-002-00333	Ø50 x 62cm



**Stainless Steel Square Steamer**

Product Code	Dimension	33 x	
01-002-00310(XX)	33cm x 4.5cm	33 x	Cover Plate
01-002-00341(XX)	33 x 14cm	33 x 33	Body Water
01-002-00342(XX)	x 14cm	33 x 33 x	Base
01-002-00343(XX)	12cm		

Available in other sizes:  
28 x 28cm  
30 x 30cm  
39 x 39cm  
60 x 60cm



**Stainless Steel Fun Cheong Steamer**

Product Code	01- Dimension	55 x	
002-00305(XX)	55 x 34cm	55 x	4-Tier 5-
01-002-00306(XX)	55 x 37cm	58 x	Tier Single
01-002-00307(XX)	55.5 x 16cm		Tier



**CCK Stainless Steel Steamer Case with Movable Base**

Product Code	Dimension
01-002-00295	Ø20 x H5"
01-002-00296	Ø20.5 x H10"
01-002-00297	Ø22 x H6"
01-002-00298	Ø22 x H10"



**CCK Stainless Steel Steamer Case with Fixed Base**

Product Code	Dimension
01-002-00339	Ø16 x H4.5"
01-002-00335	Ø18 x H5"
01-002-00299	Ø20 x H5"
01-002-00300	Ø20 x H10"
01-002-00302	Ø22 x H6"
01-002-00301	Ø22 x H10"



**CCK Stainless Steel Steamer Cover**

Product Code	Dimension
01-002-00340	Ø16 x H5.5"
01-002-00334	Ø18 x H7"
01-002-00303	Ø20.5 x H4"
01-002-00304	Ø22 x H4"



#### CCK Stainless Steel Steamer Case Ring

Product Code	Dimension
01-002-00319	Ø21" Ø22"
01-002-00320	



#### CCK Stainless Steel Round Base with Handle for Steam Case

Product Code	Dimension
01-002-00326	Ø15.5"
01-002-00327	Ø17.5"
01-002-00328	Ø19.5"



#### CCK Stainless Steel Steaming Plate

Product Code	Dimension
01-002-00279	Ø4" Ø4.5"
01-002-00280	Ø5" Ø6"
01-002-00281	Ø7" Ø8"
01-002-00282	Ø10"
01-002-00283	
01-002-00284	
01-002-00285	
01-002-00286	Ø12" (Folded Rim)
01-002-00287	Ø14" (Folded Rim)
01-002-00288	Ø16" (Folded Rim)
01-002-00289	Ø17" (Folded Rim)
01-002-00290	Ø18" (Folded Rim)
01-002-00291	Ø19" (Folded Rim)
01-002-00292	Ø20" (Folded Rim)
01-002-00293	Ø21" (Folded Rim)
01-002-00294	Ø22" (Folded Rim)



#### CCK Stainless Steel Steaming Plate

Product Code	Dimension	Type 3-
01-002-00278	Ø23" Ø23"	Holes
01-002-00276	Ø25"	7-Holes
01-002-00277		7-Holes



#### CCK Stainless Steel 1-Tier Steamer Stand, 3 Legged (Triangular)

Product Code	Dimension
01-002-00318	21.2 x 12.4"



#### Stainless Steel Triangle 8-Tier Steamer Stand

Product Code	Dimension
01-002-00275	L56 x H175cm



#### CCK Stainless Steel Rice Steaming Pan / Basin

Product Code	Dimension Ø17" x	Type
01-002-00337	H7cm Ø17" x	
01-002-00338	H7cm Ø17" / Ø43	Perforated
01-002-00321	x 7cm Ø18" / Ø46	
01-002-00322	x 8cm	



#### CCK Stainless Steel Stand for Frying Stove

Product Code	Dimension
01-002-00116	Ø19" x H14"
01-002-00117	Ø15" x H29"



#### EAGLE Aluminium Rice Steaming Pan

Product Code	Dimension
01-002-00324	Ø46 x H8cm
01-002-00325	Ø50 x H8cm



#### Bamboo Shark's Fin Mat

Product Code	Dimension
01-002-00344	9 Holes 10
01-002-00345	Holes 12
01-002-00346	Holes



#### Wooden Round Tall Steamer Lid for Dim Sum Holder

Product Code	Dimension
01-002-00375	Ø16.8 x H10cm



#### Bamboo Dim Sum Holder for "Xiao Long Bao"

Product Code	Dimension
01-002-00689	Ø5.7 x H8cm



#### Bamboo Steamer Case/Lid

Dimension	Case/Lid	Product Code
Ø5"	Case	01-002-00448
	Lid	01-002-00411
Ø6"	Case	01-002-00449
	Lid	01-002-00413
Ø6.5"	Case	01-002-00450
	Lid	01-002-00412
Ø8"	Case	01-002-00451
	Lid	01-002-00418
Ø10"	Case	01-002-00452
	Lid	01-002-00414
Ø12"	Case	01-002-00453
	Lid	01-002-00415
Ø15"	Case	01-002-00454
	Lid	01-002-00416
Ø21"	Case	01-002-00455
	Lid	01-002-00417



#### Wooden Round Steamer Case/Lid

Dimension	Case/Lid	Product Code
Ø3"	Case	01-002-00380
	Lid	01-002-00351
Ø4"	Case	01-002-00381
	Lid	01-002-00352
Ø5"	Case	01-002-00382
	Lid	01-002-00353
Ø6"	Case	01-002-00383
	Lid	01-002-00354
Ø6.5"	Case	01-002-00384
	Lid	01-002-00355
Ø8"	Case	01-002-00385
	Lid	01-002-00356
Ø10"	Case	01-002-00386
	Lid	01-002-00357
Ø12"	Case	01-002-00387
	Lid	01-002-00358



#### Deluxe Wooden Round Steamer Case/Lid

Dimension	Case/Lid	Product Code
Ø5"	Case	01-002-00427
	Lid	01-002-00404
Ø6"	Case	01-002-00428
	Lid	01-002-00405
Ø7"	Case	01-002-00429
	Lid	01-002-00406
Ø8"	Case	01-002-00430
	Lid	01-002-00407
Ø10"	Case	01-002-00431
	Lid	01-002-00408
Ø12"	Case	01-002-00432
	Lid	01-002-00409
Ø14"	Case	01-002-00433
	Lid	01-002-00410
Ø6.5"	Case (Shallow High Rise Base)	01-002-00435
	Lid (High Rise)	01-002-00419
Ø7"	Case (Shallow High Rise Base)	01-002-00436
	Lid (High Rise)	01-002-00420
Ø12"	Case (Shallow High Rise Base)	01-002-00434
	Lid (Hokkien)	01-002-00667



#### Bamboo Steamer Shallow High Rise Base/Lid

Dimension	Base/Lid	Product Code
Ø5"	Base	01-002-00439
	Lid	01-002-00421
Ø6"	Base	01-002-00441
	Lid	01-002-00423
Ø6.5"	Base	01-002-00440
	Lid	01-002-00422



#### Har Kow Bamboo Steamer Case/Lid

Dimension	Case/Lid	Product Code
Ø4"	Case	01-002-00438
	Lid	01-002-00424



#### Bamboo Steamer Case with Steel Wire/Lid

Dimension	Case/Lid	Product Code
Ø21"	Case	01-002-00447
	Lid	01-002-00417



#### Bamboo Steamer Case with Aluminium Edge

Product Code	Dimension
01-002-00443	Ø6"
01-002-00442	Ø6.5"



#### Bamboo Steamer Case/Lid with Stainless Steel Ring Edge

Dimension	Case/Lid	Product Code
Ø5.1"	Case	002-00444(XX)
	Lid	01-002-00437(XX)



#### Bamboo Steamer Case/Lid with Stainless Steel Ring Edge

Dimension	Case/Lid	Product Code
Ø6.5"	Case	01-002-00445
	Lid	01-002-00425



#### Wooden Square Steamer Case/Lid

Dimension	Case/Lid	Product Code
4 x 4"	Case	01-002-00394
	Lid	01-002-00365
5 x 5"	Case	01-002-00395
	Lid	01-002-00366
6 x 6"	Case	01-002-00396
	Lid	01-002-00367
6.5 x 6.5"	Case	01-002-00397
	Lid	01-002-00368
8 x 8"	Case	01-002-00398
	Lid	01-002-00369
10 x 10"	Case	01-002-00399
	Lid	01-002-00370
12 x 12"	Case	01-002-00400
	Lid	01-002-00371



#### Wooden Oval Steamer Case/Lid

Dimension	Case/Lid	Product Code
5 x 4"	Case	01-002-00388
	Lid	01-002-00359
6 x 5"	Case	01-002-00389
	Lid	01-002-00360
6.5 x 5.3"	Case	01-002-00390
	Lid	01-002-00361
8.5 x 6.8"	Case	01-002-00391
	Lid	01-002-00362
10 x 8"	Case	01-002-00392
	Lid	01-002-00363
12 x 9.6"	Case	01-002-00393
	Lid	01-002-00364



#### Wooden Square Steamer Case/Lid

Dimension	Case/Lid	Product Code
15 x 15 x 5cm	Case	01-002-00403
	Lid	01-002-00374
20 x 20 x 5.5cm	Case	01-002-00402
	Lid	01-002-00373
25 x 25 x 6cm	Case	01-002-00401
	Lid	01-002-00372



#### Wooden Square Steamer Case/Lid

Dimension	Case/Lid	Product Code
26 x 16 x 5cm (GN1/4)	Case	01-002-00379
	Lid	01-002-00350
32 x 17 x 6cm (GN 1/3)	Case	01-002-00378
	Lid	01-002-00349
32 x 26 x 6cm (GN 1/2)	Case	01-002-00377
	Lid	01-002-00348
52 x 32.5 x 6.5cm (GN 1/1)	Case	01-002-00376
	Lid	01-002-00347



#### Bamboo Round Steamer Case/Lid with Plastic Rim

Dimension	Case/Lid	Product Code
Ø5" x H7cm	Case	01-002-00768
	Lid	01-002-00769
Ø6" x H7cm	Case	01-002-00770
	Lid	01-002-00771
Ø6.5" x H7cm	Case	01-002-00772
	Lid	01-002-00773
Ø7" x H7cm	Case	01-002-00774
	Lid	01-002-00775
Ø7" x H7cm	Case	01-002-00776
	Lid	01-002-00777
Ø10" x H7cm	Case	01-002-00776
	Lid	01-002-00777



#### Bamboo Square Steamer Case/Lid with Plastic Rim

Dimension	Case/Lid	Product Code
Ø5" x H7cm	Case	01-002-00778
	Lid	01-002-00779
Ø6" x H7cm	Case	01-002-00780
	Lid	01-002-00781
Ø6.5" x H7cm	Case	01-002-00782
	Lid	01-002-00783
Ø7" x H7cm	Case	01-002-00784
	Lid	01-002-00785



#### AELB Japanese Shallow Casserole

Product Code	Dimension	Capacity
01-002-00688	Ø11.5 x H4.6cm	0.2 ℓ With Cover
01-002-00686	Ø12.7 x H5cm	0.35 ℓ With Cover
01-002-00682	Ø14.5 x H5.7cm	0.6 ℓ With Cover
01-002-00684	Ø14.5 x H5.7cm	0.6 ℓ Body Only
01-002-00676	Ø17.4 x H6.5cm	0.9 ℓ With Cover
01-002-00677	Ø17.4 x H6.5cm	0.9 ℓ Body Only
01-002-00681	Ø19.7 x H7.5cm	1.3 ℓ With Cover
01-002-00673	Ø19.7 x H7.5cm	1.3 ℓ Body Only
01-002-00672	Ø23 x H8.2cm	1.7 ℓ With Cover
01-002-00671	Ø24 x H8.6cm	2.2ℓ With Cover



#### AELB Japanese Deep Casserole

Product Code	Dimension	Capacity
01-002-00683	Ø14.7 x H8cm	0.9 ℓ With Cover
01-002-00679	Ø16.5 x H9cm	1.3 ℓ With Cover
01-002-00675	Ø16.5 x H9cm	1.3 ℓ With Cover
01-002-00678	Ø19 x H10cm	1.9 ℓ Body Only
01-002-00674	Ø20.5 x H11cm	2.6 ℓ With Cover
01-002-00670	Ø23.5 x H12cm	3.5 ℓ Body Only
01-002-00669	Ø26.7 x H13cm	5.0ℓ With Cover



#### Black Alum Non-Stick Hot Pot with Cover

Product Code	Dimension
01-002-00717	Ø16cm
01-002-00718	Ø20cm
01-002-00719	Ø22cm
01-002-00720	Ø24cm



#### CCK Double Ear Rattan Basket for Casserole

Product Code	Dimension
01-002-00233	Ø6.5"
01-002-00234	Ø7.5"
01-002-00235	Ø8.5"
01-002-00236	Ø9.5"
01-002-00237	Ø11" Ø12"
01-002-00238	



#### AELB Thai Style Claypot with Cover

Product Code	Dimension
01-002-00687	Ø15 x H5cm
01-002-00685	Ø18 x H6cm
01-002-00680	Ø21 x H7cm



#### JUMBO Earthen Claypot

Dimension	Color	Product Code
Ø23.3 x H10.7cm	Black	01-002-00464
Ø25.3 x H10.7cm	Black	01-002-00465



#### JUMBO Earthen Jumbo Claypot

Dimension	Capacity	Color	Product Code
Ø17.3 x H14.7cm	3.25 ℓ	Black	01-002-00702
Ø19.3 x H6.7cm	4.25 ℓ	Black	01-002-00767
Ø22.3 x H18.7cm	5.5 ℓ	Black	01-002-00714
Ø23.3 x H19.7cm	7.5 ℓ	Black	01-002-00715
Ø25.3 x H21.7cm	10.0ℓ	Black	01-002-00716



#### JUMBO Earthen Jumbo Claypot

Dimension	Color	Product Code
Ø21.3 x H15.7cm	Yellow	01-002-00456
Ø23.3 x H17.7cm	Yellow	01-002-00457
Ø26.3 x H21.7cm	Yellow	01-002-00458



#### Stainless Steel Claypot Stand with Handles

Product Code	Dimension
01-002-00738	15.5 x 13 x 9cm



#### Wooden Square Stand, Open Base

Product Code	Dimension
01-002-00758	Ø14cm
01-002-00759	Ø16cm
01-002-00760	Ø18.5cm
01-002-00761	Ø21cm
01-002-00762	Ø23.5cm
01-002-00763	Ø26cm



#### Stainless Steel Claypot Stand with Handles

Product Code	Dimension
01-002-00527	11.5 x 8.5 x 14 x
01-002-00528	11.5 x 8.5cm 18.5
01-002-00529	x 15 x 9.5cm



#### Wooden Square Stand, Closed Base

Product Code	Dimension
01-002-00530	S - Ø14.5 x 18.5 x 5cm
01-002-00531	M - Ø18 x 22.5 x 5.5cm
01-002-00532	L - Ø20 x 24.2 x 5.8cm



#### TOKIWA Cast Iron Round Hot Plate

Product Code	Dimension	
01-002-00580	Ø22cm	Without Handle
01-002-00581	Ø15cm	With Handle
01-002-00582	Ø20cm	With Handles



#### Round Cast Iron Hot Plate with Wooden Underliner

Product Code	Dimension
01-002-00617	Ø15cm
01-002-00616	Ø18cm
01-002-00602	Ø20cm
01-002-00615	Ø21cm
01-002-00603	Ø22cm
01-002-00604	Ø24cm
01-002-00605	Ø26cm



#### Round Cast Iron Hot Plate with 2 Sides and Wooden Underliner

Product Code	Dimension
01-002-00618	Ø15cm



#### Oval Ribbed Edge Cast Iron Hot Plate with Wooden Underliner

Product Code	Dimension	Platter
01-002-00610	23 x 14cm	27 x 17cm



#### Round Cast Iron Grill Plate with 2 Handles and Wooden Underliner

Product Code	Dimension
01-002-00606	Ø24cm



#### TOKIWA Cast Iron Oval Hot Plate with Wooden Underliner

Product Code	Dimension
01-002-00591	30cm



#### Cast Iron Cow-Head Hot Plate

Product Code	Dimension	
01-002-00583	30cm	
01-002-00584	23.5cm	With Wooden Base



01-002-00588/589



01-002-00587



#### Rectangle Cast Iron Hot Plate with Wooden Underliner

Product Code	Dimension
01-002-00595	22 x 16cm

#### Cast Iron Oval Hot Plate

Product Code	Dimension	
01-002-00588	10.5"	
01-002-00589	11"	
01-002-00587	12"	Floral Design



#### Cast Iron Octopus Ball Plate

Product Code	Dimension	Colour
01-002-00592	18-Compartment	Black



#### Rectangle Hot Plate with Wooden Stand

Product Code	Dimension
01-002-00593	38 x 20 x 11.5cm (L Size)
01-002-00594	29.5 x 15.5 x 11.5cm (S Size)



#### Cast Iron Wok with Wooden Cover

Dimension

01-002-00263

01-002-00264

01-002-00265



#### Black Aluminium Hot Pot with Loop Holes and Wooden Lid

Product Code Dimension

01-002-00571 Ø17cm

01-002-00572 Ø19cm



#### TOKIWA Cast Iron Round Sukiyaki Nabe

Product Code Dimension

01-002-00579 Ø26cm



#### Cast Iron Round Sukiyaki Nabe

Product Code Dimension

01-002-00576 Ø24cm

01-002-00577 Ø26cm

01-002-00578 Ø28cm

01-002-00575 Ø30cm



#### TOKIWA Cast Iron Hot Plate with Handle

Product Code Dimension

01-002-00585 17cm

01-002-00586 20cm



#### Stainless Steel Teppanyaki Cover

Product Code Dimension

01-002-00624 Ø28cm



#### STONE LEE Stone Bowl

Product Code Dimension

01-002-00268 Ø16 x H7cm

01-002-00269 Ø18 x H8cm

01-002-00270 Ø20 x H8cm

01-002-00271 Ø21 x H8cm



#### STONE LEE Stone Bowl with Stainless Steel Band

Product Code Dimension

01-002-00267(XX) Ø17 x H7cm

01-002-00266 Ø18 x H8cm



#### STONE LEE Stone Pot

Product Code Dimension

01-002-00229 Ø15 x H7.5cm

01-002-00230 Ø20 x H10cm

01-002-00231 Ø22 x H11cm

01-002-00232 Ø24 x H12cm



#### STONE LEE Wooden Oval Underliner for Stone Bowl / Pot

Product Code For 01-002-00268 / 01-002-

01-002-00272 00229 01-002-00269 / 01-

01-002-00273 002-00270 01-002-00230 /

01-002-00274 01-002-00271



#### STONE LEE Chowder Pan

Product Code	Dimension
01-002-00219	Ø26 x H8cm
01-002-00220	Ø28 x H8cm
01-002-00221	Ø30 x H8cm
01-002-00222	Ø32 x H8cm



#### STONE LEE Round Steak Pan with Wooden Underliner

Product Code	Dimension
01-002-00596	Ø22 x H2.5cm
01-002-00597	Ø24 x H2.5cm
01-002-00598	Ø26 x H2.5cm



#### STONE LEE Rectangle Steak Pan with Wooden Underliner

Product Code	Dimension
01-002-00599	24 x 15 x 2.3cm
01-002-00600	28 x 16 x 2.5cm
01-002-00619(XX)	Steak Pan for 01-002-00599
01-002-00620(XX)	Wooden Pan for 01-002-00599



#### STONE LEE Fan Shaped Footed Plate

Product Code	Dimension
01-002-00601	26.5 x 13.5cm



01-002-00613(XX)



01-002-00614(XX)



01-002-00611(XX)



01-002-00612(XX)

#### STONE LEE Stone Plate for Warmer

Product Code	Dimension	17
01-002-00611(XX)	x 17 x 2cm	22 Square
01-002-00612(XX)	x 14 x 2cm	Rectangle

#### STONE LEE Stone Warmer

Product Code	01-	Dimension
002-00613(XX)		11 x 11 x 6cm Square
01-002-00614(XX)		16 x 7 x 6cm Rectangle



#### Stainless Steel Shabu Shabu / Hot Plate with Glass Lid

Product Code	Dimension	Details
01-002-00257	Ø28cm	"S" Divided
01-002-00255	Ø26cm	With Capsule Bottom (Induction-Usable)
01-002-00256	Ø28cm	With Capsule Bottom (Induction-Usable)



#### Stainless Steel Mini Steamboat with Chimney (Non-detachable)

Product Code	Dimension
01-002-00250	20cm 0.85ℓ



#### YI TOH LOO Aluminium Charcoal Steamboat (Fixed)

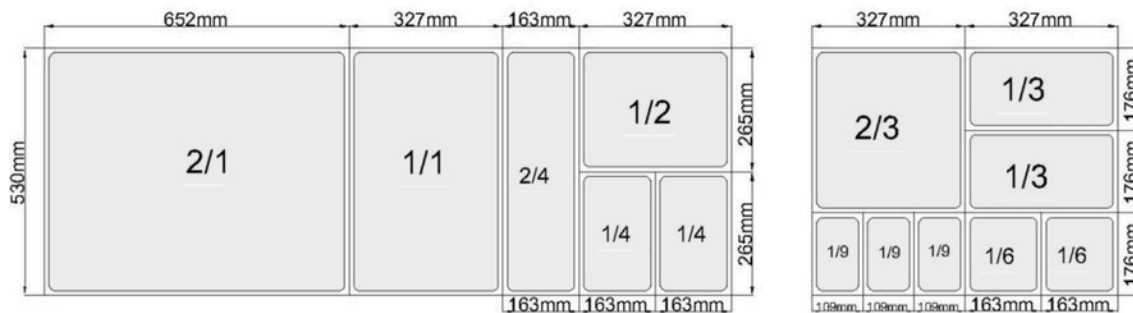
Product Code	Dimension
01-002-00253	Ø9" Ø10"
01-002-00251	Ø11"
01-002-00252	

# KITCHEN TOOLS & UTENSILS



CHAPTER

# 02



### STAINLESS STEEL GASTRONORM PANS - EUROPEAN STYLE

SAFICO Gastronorm Pans are constructed with 18/8 stainless steel to EN 361 Standard and meets all needs. Double-reinforced corners and edges reduce distortion and prevent the pans from jamming together during storage. Sits firmly over steam table wells to minimise heat loss. NSF Listed.



#### SAFICO Stainless Steel GN Pan

Size / Depth	2cm / 0.07cm	4cm / 0.07cm	6.5cm / 0.07cm	10cm / 0.07cm	15cm / 0.07cm	20cm / 0.07cm
GN 1/1 GN	02-001-00235	02-001-00236	02-001-00237	02-001-00238	02-001-00239	02-001-00240
1/2 GN 1/3	02-001-00241	02-001-00242	02-001-00243	02-001-00244	02-001-00245	02-001-00246
GN 1/4 GN	02-001-00247	02-001-00248	02-001-00249	02-001-00250	02-001-00251	02-001-00252
1/6 GN 1/9			02-001-00253	02-001-00254	02-001-00255	02-001-00256
GN 2/1 GN			02-001-00257	02-001-00258	02-001-00259	02-001-00260
2/3 GN 2/4			02-001-00261	02-001-00262		
	02-001-00263	02-001-00264	02-001-00265	02-001-00266	02-001-00267	02-001-00563
	02-001-00279	02-001-00280	02-001-00281	02-001-00282	02-001-00283	02-001-00284
	02-001-00285		02-001-00286	02-001-00287	02-001-00288	



#### SAFICO PERFORATED Stainless Steel GN Pan

Size / Depth	2cm / 0.07cm	4cm / 0.07cm	6.5cm / 0.07cm	10cm / 0.07cm	15cm / 0.07cm	20cm / 0.07cm
GN 1/1 GN	02-001-00268	02-001-00269	02-001-00270	02-001-00271	02-001-00272	
1/2 GN 2/1		02-001-00274	02-001-00275	02-001-00276	02-001-00277	02-001-00273
			02-001-00278			



#### SAFICO Stainless Steel Non-Stick GN Pan

Size / Depth	2cm	4cm	6.5cm
GN 1/1	02-001-00289	02-001-00290	02-001-00291
GN 1/2	02-001-00292	02-001-00293	02-001-00294
GN 1/3			02-001-00295
GN 2/3			02-001-00296

#### SAFICO Stainless Steel False Bottom / Drain Shelf

Product Code	Size	For
02-001-00312	Size 1/1	For
02-001-00313	Size 1/2	For
02-001-00314	Size 1/3	


**SAFICO Stainless Steel Slotted Lid**

Product Code	For GN Pan	Thickness
02-001-00297	1/1 1/2 1/3	0.07cm
02-001-00298	1/4 1/6 1/9	0.07cm
02-001-00299	2/3	0.07cm
02-001-00300		0.07cm
02-001-00301		0.07cm
02-001-00302		0.07cm
02-001-00303		0.07cm

**SAFICO Stainless Steel Solid Lid**

Product Code	For GN Pan	Thickness
02-001-00304	1/1 1/2 1/3	0.07cm
02-001-00305	1/4 1/6 1/9	0.07cm
02-001-00306	2/3 2/4	0.07cm
02-001-00307		0.07cm
02-001-00308		0.07cm
02-001-00309		0.07cm
02-001-00310		0.07cm
02-001-00311		0.07cm


**STEELCRAFT BY SAFICO Stainless Steel GN Pan**

Size / Depth	2cm / 0.06cm	4cm / 0.06cm	6.5cm / 0.06cm	10cm / 0.06cm	15cm / 0.07cm	20cm / 0.07cm
GN 1/1 GN	02-001-00315	02-001-00316	02-001-00317	02-001-00318	02-001-00319	02-001-00320
1/2 GN 1/3	02-001-00327	02-001-00328	02-001-00329	02-001-00330	02-001-00331	02-001-00332
	02-001-00339	02-001-00340	02-001-00341	02-001-00342	02-001-00343	02-001-00344
GN 1/4	02-001-00345		02-001-00346	02-001-00347	02-001-00348	02-001-00349
GN 1/6			02-001-00350	02-001-00351	02-001-00352	02-001-00353
GN 1/9			02-001-00354	02-001-00355	02-001-00356	
GN 2/1	02-001-00357					
GN 2/3	02-001-00358	02-001-00359	02-001-00360	02-001-00361	02-001-00362	02-001-00363
GN 2/4				02-001-00364	02-001-00365	


**STEELCRAFT BY SAFICO PERFORATED Stainless Steel GN Pan**

Size / Depth	2cm / 0.06cm	4cm / 0.06cm	6.5cm / 0.06cm	10cm / 0.06cm	15cm / 0.07cm	20cm / 0.07cm
GN 1/1 GN	02-001-00321	02-001-00322	02-001-00323	02-001-00324	02-001-00325	02-001-00326
1/2	02-001-00333	02-001-00334	02-001-00335	02-001-00336	02-001-00337	02-001-00338

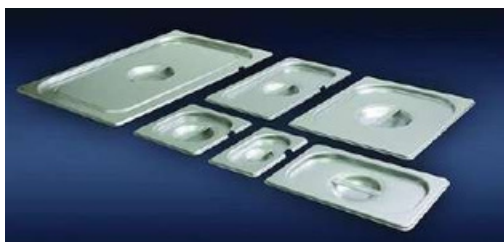

**STEELCRAFT BY SAFICO Stainless Steel Food Pan**

Size / Depth	6.5cm / 0.06cm	10cm / 0.06cm	15cm / 0.06cm	20cm / 0.06cm
GN 1/1 GN	02-001-00416	02-001-00417	02-001-00418	02-001-00419
1/2 GN 1/3	02-001-00420	02-001-00421	02-001-00422	
GN 1/4 GN	02-001-00423	02-001-00424	02-001-00425	
1/6 GN 1/9	02-001-00426	02-001-00427	02-001-00428	
	02-001-00429	02-001-00430	02-001-00431	
	02-001-00433	02-001-00432		



#### STEELCRAFT BY SAFICO Stainless Steel Solid Cover for Food Pan

Product Code	For GN Pan	Thickness
02-001-00434	Size 1/1	0.06cm
02-001-00435	Size 1/2	0.06cm
02-001-00436	Size 1/3	0.06cm
02-001-00437	Size 1/4	0.06cm
02-001-00438	Size 1/6	0.06cm
02-001-00439	Size 1/9	0.06cm



#### STEELCRAFT BY SAFICO Stainless Steel Solid Cover\*

Product Code	For GN Pan	Thickness
02-001-00366	Size 1/1	0.07cm
02-001-00367	Size 1/2	0.07cm
02-001-00368	Size 1/3	0.07cm
02-001-00369	Size 1/4	0.07cm
02-001-00370	Size 1/6	0.07cm
02-001-00371	Size 1/9	0.07cm
02-001-00372	Size 2/3	0.07cm
02-001-00373	Size 2/1	0.09cm
02-001-00374	Size 2/4	0.07cm

\*This series may be used on SAFICO and STEELCRAFT by SAFICO pans



#### Stainless Steel 3-Compartment Pan Organizer for GN 1/6 Pans

Product Code	Height
02-001-00452	15cm



#### STEELCRAFT BY SAFICO Stainless Steel Divided Food Pan

Product Code	Height
02-001-00415	6.5cm



#### CCK Stainless Steel Holder for 1/6 Size Pan

Height	4"	02-001-00445	6"	02-001-00444
1/6 2 x		02-001-00447		001-00446
1/6 3 x		02-001-00449		02-001-00448



#### CAMBRO AMBER H-Pan (Temperature tolerance -40°C to 190°C)

Size / Depth	2.5"	4"	6"
GN 1/1 GN	02-001-00008	02-001-00009	02-001-00010
1/2 GN 1/3	02-001-00011	02-001-00012	02-001-00013
GN 1/6 GN	02-001-00014	02-001-00015	02-001-00016
1/9	02-001-00020	02-001-00021	02-001-00022
	02-001-00023	02-001-00024	



#### SAFICO Stainless Steel Adaptor Bar

Product Code	Dimension	Size	For
02-001-00450	20.5"	Size 1/1	For
02-001-00451	12.75"	Size 1/2	

**CAMBRO AMBER Heat-Resistant Plastic GN H-Pan Lid**

Size	Flat Lid	Flip Lid	Flat Lid w/ Handle	Notched Lid w/ Handle	Notched Flip Lid
GN 1/1	02-001-00460		02-001-00467(XX)	02-001-00472(XX)	
GN 1/2	02-001-00461	02-001-00034(XX)	02-001-00468	02-001-00473(XX)	02-001-00048(XX)
GN 1/3	02-001-00463(XX)	02-001-00035(XX)	02-001-00469	02-001-00474	02-001-00047(XX)
GN 1/4	02-001-00464(XX)		02-001-00470	001-00475(XX)	
GN 1/6	02-001-00465	02-001-00036(XX)	02-001-00471	02-001-00476	02-001-00049(XX)
GN 1/9	02-001-00466(XX)				

**CAMBRO Drain Shelf for GN Pan**

Size	Amber	Clear (Plastic)	Translucent (Polypropylene)
GN 1/1	02-001-00001(XX)	02-001-00069	02-001-00489
GN 1/2	02-001-00002(XX)	02-001-00070	02-001-00490
GN 1/3	02-001-00003	02-001-00071	02-001-00491
GN 1/4	02-001-00004(XX)	02-001-00072	02-001-00492(XX)
GN 1/6	02-001-00005	02-001-00073	02-001-00493
GN 1/9	02-001-00006(XX)	02-001-00074	

Camwear Drain Shelves ensure that food and condiments stay fresh longer by keeping liquids separate from food. The finger notch allows you to place it in the bottom of your existing Camwear Food Pan to keep food product elevated and out of juices preserving freshness and food quality. CW Drain Shelves withstand temperatures from -40°C to 99°C.

Polypropylene Drain Shelves ensure that food and condiments stay fresh longer by keeping liquids separate from food. The finger notch allows you to place it in the bottom of your existing Translucent Food Pan to keep food product elevated and out of juices preserving freshness and food quality. Polypropylene Drain Shelves withstand temperatures from -40°C to 70°C.

**CAMBRO BLACK Polycarbonate GN Pan**

Size / Depth	6.5cm	10cm	15cm	20cm
GN 1/1 GN	02-001-00050	02-001-00051	02-001-00052	
1/2 GN 1/3	02-001-00053	02-001-00054	02-001-00055	
GN 1/4 GN	02-001-00056	02-001-00057	02-001-00058	02-001-00059
1/6 GN 1/9	02-001-00060	02-001-00061	02-001-00062	
	02-001-00063	02-001-00064	02-001-00065	
	02-001-00066	02-001-00067		

**CAMBRO WHITE Polycarbonate GN Pan**

Size / Depth	6.5cm	10cm	15cm
GN 1/1 GN	02-001-00166	02-001-00164	02-001-00165
1/2 GN 1/3	02-001-00167	02-001-00168	02-001-00169(XX)
GN 1/4 GN	02-001-00170	02-001-00171	02-001-00172
1/6 GN 1/9		02-001-00173(XX)	
	02-001-00174		02-001-00175
	02-001-00176(XX)		


**PADERNO Plastic GN Pan / Grid / Lid**

Size	Plastic GN Pan (Height: 20cm)	Grid	Lid
GN 2/1	02-001-00413(XX)	02-001-00441(XX)	02-001-00414(XX)


**CAMBRO TRANSLUCENT Polypropylene Food Pan / GN Lids**

Size / Depth	Food Pan Height: 10cm	Food Pan Height: 15cm	Flat Lid w/ Handle	Notched Lid w/ Handle	Flat Lid
GN 1/1	02-001-00477	02-001-00478(XX)	02-001-00507		
GN 1/2	02-001-00479	02-001-00480	02-001-00508		
GN 1/3	02-001-00481	02-001-00482	02-001-00509	02-001-00512(XX)	
GN 1/4	02-001-00483	02-001-00484	02-001-00510		
GN 1/6	02-001-00485	02-001-00486	02-001-00511	02-001-00513(XX)	
GN 1/9	02-001-00487				02-001-00506(XX)


**CAMBRO CLEAR Polycarbonate Food Pan**

Size / Depth	6.5cm	10cm	15cm	20cm
GN 1/1 GN	02-001-00669	02-001-00670	02-001-00671	02-001-00672
1/2 GN 1/3	02-001-00673	02-001-00674	02-001-00675	02-001-00668
GN 1/4 GN	02-001-00676	02-001-00677	02-001-00678	02-001-00679
1/6 GN 1/9		02-001-00680	02-001-00681	
GN 2/4	02-001-00682	02-001-00683	02-001-00684	
	02-001-00685	02-001-00686		
	02-001-00516			

**CAMBRO CLEAR Polycarbonate Plastic GN Lid**


Size / Depth	Flat Lid	Flat Lid w/ Handle	Notched Lid w/ Handle	Notched Flip Lid	Flip Lid	Grip Lid
GN 1/1 GN	02-001-00077	02-001-00084	02-001-00092			02-001-00127
1/2 GN 1/3	02-001-00078	02-001-00085	02-001-00093	02-001-00089	02-001-00124	02-001-00128
GN 1/4 GN	02-001-00079	02-001-00086	02-001-00094	02-001-00090	02-001-00125	02-001-00129
1/6 GN 1/9	02-001-00080	02-001-00087	02-001-00095			
GN 2/4	02-001-00081	02-001-00088	02-001-00096	02-001-00091	02-001-00126	02-001-00130
	02-001-00082		02-001-00097(XX)			
	02-001-00488(XX)					


**CAMBRO CLEAR Polycarbonate Food Pan Colander**

Size / Depth	Height 3" (7.6cm)	Height 5" (12.7cm)
GN 1/2 GN	02-001-00118	
1/3 GN 1/6	02-001-00121	02-001-00120(XX)
	02-001-00123	02-001-00122



02-001-00185/186/187

02-001-00131/132/133

**CAMBRO CLEAR Coldfest Insulated Pan / Plastic Flat Cover**

Size / Depth	ABS GN Pan w/ Gel Core Height: 15cm	Flat Cover
GN 1/2	02-001-00185	02-001-00131(XX)
GN 1/3	02-001-00186	02-001-00132(XX)
GN 1/6	02-001-00187	02-001-00133(XX)


**UNICA TRANSLUCENT Polypropylene GN Pan**

Size / Depth	6.5cm	10cm	15cm	20cm
GN 1/1 GN	02-001-00392	02-001-00393	02-001-00394	02-001-00395
1/2 GN 1/3	02-001-00396	02-001-00397	02-001-00398	02-001-00399
GN 1/4 GN	02-001-00400	02-001-00401	02-001-00402	02-001-00403
1/6 GN 1/9	02-001-00404	02-001-00405	02-001-00406	
	02-001-00407	02-001-00408	02-001-00409	
	02-001-00410	02-001-00411		


**UNICA TRANSLUCENT Polypropylene Drain Shelf | Lid**

Size	Drain Shelf	Lid
GN 1/1	02-001-00381	02-001-00386
GN 1/2	02-001-00382	02-001-00387
GN 1/3	02-001-00383	02-001-00388
GN 1/4	02-001-00384	02-001-00389
GN 1/6	02-001-00385	02-001-00390
GN 1/9		02-001-00391

**UNICA Colour Clip for GN Pans & Lids**

Product Code	Colour
02-001-00518	Blue
02-001-00519	Green
02-001-00520	Gray
02-001-00521	Red
02-001-00522	White
02-001-00523	Yellow


**JIWINS CLEAR Polycarbonate Food Pan**

Size / Depth	6.5cm	10cm	15cm	20cm
GN 1/1 GN	02-001-00193	02-001-00194	02-001-00195	02-001-00196
1/2 GN 1/3	02-001-00197	02-001-00198	02-001-00199	02-001-00200
GN 1/4 GN	02-001-00201	02-001-00202	02-001-00203	02-001-00204
1/6 GN 1/9	02-001-00205	02-001-00206	02-001-00207	
GN 2/1	02-001-00208	02-001-00209	02-001-00210	
	02-001-00211	02-001-00212		
			02-001-00583	02-001-00584


**JIWINS Polycarbonate Drain Shelf / Lids**

Size / Depth	Plastic Drain Shelf for Food Pan	PE Seal Lid	Lid without Handle	Lid with Handle	Notched Lid with Handle
GN 1/1	02-001-00188	02-001-00229	02-001-00213	02-001-00219	02-001-00224
GN 1/2	02-001-00189	02-001-00230	02-001-00214	02-001-00220	02-001-00225
GN 1/3	02-001-00190	02-001-00231	02-001-00215	02-001-00221	02-001-00226
GN 1/4	02-001-00191	02-001-00232	02-001-00216	02-001-00222	02-001-00227
GN 1/6	02-001-00192	02-001-00233	02-001-00217	02-001-00223	02-001-00228
GN 1/9		02-001-00234	02-001-00218		
GN 2/1			02-001-00585		


**Stainless Steel Perforated Pail / Bucket**

Product Code	Dimension
02-002-00146	Ø27 x H25cm
02-002-00147	Ø32 x H30cm
02-002-00148	Ø37 x H35cm


**CCK TAPED BODY Stainless Steel Water Pail / Bucket**

Product Code	Dimension	Capacity
02-002-00149	Ø12 x H11"	14.0 ℓ
02-002-00150	Ø13 x H11.2"	17.0 ℓ
02-002-00151	Ø14 x H12"	23.0ℓ


**CAMBRO PE Pail w/ Capacity Markings & Lid**

Product Code	Capacity	Colour
02-002-00145	22qt	<input type="checkbox"/> White


**PIAZZA Stainless Steel Graduated Bucket with Bottom Ring / Lid**

Dimension	Bucket/Lid	Capacity	Product Code 02-
Ø27 x H24cm	Bucket	10.0ℓ	002-00153(XX)
	Lid		02-002-00155(XX)
Ø28 x H25.8cm	Bucket	12.0ℓ	02-002-00154
	Lid		002-00156(XX)



#### Stainless Steel Japanese Style Bucket / Pail with Base

Product Code	Dimension	Capacity
02-002-00157	Ø26.5 x H25.5cm	10.0 ℓ
02-002-00158	Ø29.5 x H30cm	15.0ℓ



#### Stainless Steel Pail with Graduation

Product Code	Dimension	Capacity
02-002-00159(XX)	Ø30 x H12.6cm	13.0ℓ
02-002-00161(XX)	Ø22.5 x H20.5cm	5.5ℓ
02-002-00162(XX)	Ø29.5 x H25cm	12.0ℓ



#### Stainless Steel Fryer Container with Grill Net

Product Code	Dimension
02-002-00389	33 x 24cm



#### ZEBRA Stainless Steel Wash Basin

Product Code	Dimension	Capacity
02-002-00084	x H11cm Ø40 x	7.0 ℓ
02-002-00085	H12.5cm Ø50 x	10.0 ℓ
02-002-00086	H14cm Ø55 x	16.0 ℓ
02-002-00087	H15.5cm Ø60 x	24.0 ℓ
02-002-00088	H17.5cm Ø70 x	32.0 ℓ
02-002-00089	H19.5cm	48.0ℓ



#### Stainless Steel Wash Basin

Product Code	Dimension
02-002-00133	Ø12 x H5cm
02-002-00134	Ø14 x H5.5cm
02-002-00135	Ø16 x H6cm
02-002-00136	Ø18 x H6.5cm



#### FOUR BRIGHT Aluminium Utility Basin

Product Code	Dimension
02-002-00015	x H10.5cm Ø20
02-002-00016	x H12cm Ø24 x
02-002-00017	H13cm Ø26 x
02-002-00018	H14cm Ø28 x
02-002-00019	H14.5cm Ø30 x
02-002-00020	H15.2cm Ø32 x
02-002-00021	H16cm

#### Stainless Steel Oil Pot (Basin)

Product Code	Dimension
02-002-00256	9"
02-002-00257	10"
02-002-00258	11"



02-002-00223



02-002-00226

#### Stainless Steel Oil Pot Local Style

Product Code	Dimension
02-002-00259	22cm
02-002-00260	24cm
02-002-00261	26cm

#### CCK Stainless Steel Oil Pot

Product Code	Dimension	Capacity	Type
02-002-00223	Ø8 x H7.8"	5.7 ℓ	Local
02-002-00224	Ø8.6 x H6.5"	6.0 ℓ	Local
02-002-00225	Ø8 x H5.8"	5.0 ℓ	Basin
02-002-00226	Ø9 x H5.8"	6.0 ℓ	Basin
02-002-00227	Ø10 x H16"	7.5 ℓ	Basin
02-002-00228	Ø11 x H6.5"	9.5ℓ	Basin



#### LACOR Stainless Steel Semi-Spherical Mixing Bowl

Product Code	Dimension	Capacity
02-00034(XX)	Ø22 x H11cm	2.7 ℓ
02-002-00035(XX)	Ø26 x H13cm	4.0ℓ



#### Stainless Steel Tapered Mixing Bowl (Beaded Edge)

Product Code	Dimension	Ø16
02-002-00137	x H8cm	Ø20 x
02-002-00138	H9.5cm	Ø24 x
02-002-00139	H10.5cm	Ø28 x
02-002-00140	H12.5cm	Ø32 x
02-002-00141	H13.5cm	Ø36 x
02-002-00142	H15.5cm	Ø40 x
02-002-00143	H18cm	

#### CCK Stainless Steel Mixing Bowl

Product Code	Dimension	Capacity
02-002-00001	Ø20 x H8cm	1.75 ℓ
02-002-00002	Ø26 x H11cm	3.9 ℓ
02-002-00003	Ø28 x H11cm	4.8 ℓ
02-002-00004	Ø30 x H12cm	5.6 ℓ
02-002-00005	Ø32 x H13cm	7.0 ℓ
02-002-00006	Ø34 x H14cm	8.0 ℓ
02-002-00007	Ø36 x H15cm	10.5 ℓ
02-002-00008	Ø43 x H14cm	14.0 ℓ
02-002-00009	Ø45 x H15cm	18.0 ℓ
02-002-00010	Ø52 x H16cm	22.0 ℓ
02-002-00011	Ø58 x H17cm	30.0 ℓ
02-002-00012	Ø61 x H18cm	38.0 ℓ
02-002-00013	Ø65 x H19cm	44.5 ℓ
02-002-00014	Ø70 x H20cm	54.0ℓ



#### Stainless Steel Mixing Bowl, Economy

Product Code	Dimension	Ø14	Capacity
02-002-00109	x H6.8cm	Ø17.2	0.52 ℓ
02-002-00110	x H7.2cm	Ø19.2	1.1 ℓ
02-002-00111	x H8.3cm	Ø21.5	1.45 ℓ
02-002-00112	x H8.4cm	Ø23.5	1.7 ℓ
02-002-00113	x H8.6cm	Ø16.5	2.15 ℓ
02-002-00114	x H6cm	Ø20 x	0.7 ℓ
02-002-00115	H6.5cm	Ø23 x	1.4 ℓ
02-002-00116	H7cm	Ø25.5 x	1.9 ℓ
02-002-00117	H8cm	Ø27 x	2.85 ℓ
02-002-00118	H8.5cm	Ø29.5 x	3.8 ℓ
02-002-00119	H9.5cm	Ø33.5 x	4.75 ℓ
02-002-00120	H10cm	Ø36 x	7.6 ℓ
02-002-00121	H11.5cm	Ø41 x	9.5 ℓ
02-002-00122	H12cm	Ø45 x	12.5 ℓ
02-002-00123	H14cm	Ø48 x	15.5 ℓ
02-002-00124	H15cm	Ø26 x	19.0 ℓ
02-002-00125	H9.5cm	Ø28 x	2.65 ℓ
02-002-00126	H10cm	Ø30 x	3.6 ℓ
02-002-00127	H11cm	Ø32 x	4.5 ℓ
02-002-00128	H11cm	Ø34 x	5.5 ℓ
02-002-00129	H11cm	Ø36 x	7.0 ℓ
02-002-00130	H12cm		8.3ℓ



#### ZEBRA Stainless Steel Mixing Bowl

Product Code	Dimension	Ø15	Capacity
02-002-00071	x H6.5cm	Ø18	0.7 ℓ
02-002-00072	x H7.5cm	Ø21	1.2 ℓ
02-002-00073	x H8.5cm	Ø24	2.0 ℓ
02-002-00074	x H9.5cm	Ø27	3.2 ℓ
02-002-00075	x H11cm	Ø30 x	4.2 ℓ
02-002-00076	H12cm	Ø33 x	5.8 ℓ
02-002-00077	H13cm	Ø36 x	7.7 ℓ
02-002-00078	H14cm	Ø40 x	10.3
02-002-00079	H16cm	Ø45 x	ℓ
02-002-00080	H17.5cm	Ø50 x	14.5
02-002-00081	H19.5cm		ℓ
			19.6
			ℓ
			24.0



#### Stainless Steel Mixing Bowl, Japan

Product Code	Dimension	Ø15	Capacity
02-002-00091	x H6.5cm	Ø18	0.85 ℓ
02-002-00092	x H7.5cm	Ø21	1.83 ℓ
02-002-00093	x H8.5cm	Ø24	2.2 ℓ
02-002-00094	x H9.5cm	Ø27	3.2 ℓ
02-002-00095	x H10.5cm	Ø30	4.55 ℓ
02-002-00096	x H11.5cm	Ø33	6.3 ℓ
02-002-00097	x H12.5cm	Ø36	8.2 ℓ
02-002-00098	x H13.5cm	Ø39	10.5 ℓ
02-002-00099	x H14.5cm	Ø42	12.6 ℓ
02-002-00100	x H15.5cm	Ø45	16.2 ℓ
02-002-00101	x H16.5cm	Ø50	20.5 ℓ
02-002-00102	x H18.5cm	Ø55	25.0 ℓ
02-002-00103	x H20.5cm	Ø60	35.0 ℓ
02-002-00104	x H22.5cm		45.0ℓ


**LACOR 18-10 Stainless Steel Spherical Mixing Bowl with Handles**

Product Code	Dimension	Capacity
02-002-00023	Ø22 x H11cm	2.7 ℓ
02-002-00024	Ø26 x H13cm	4.0 ℓ
02-002-00025	Ø32 x H17cm	9.5 ℓ
02-002-00026	Ø36 x H18cm	12.0 ℓ
02-002-00027	Ø40 x H21cm	14.5ℓ


**LACOR 18-10 Stainless Steel Conical Mixing Bowl with Handles**

Product Code	Dimension Ø28	Capacity
02-002-00028	x H13.2cm Ø32	5.0ℓ
02-002-00029	x H14.5cm Ø36	7.0ℓ
02-002-00030	x H16cm Ø40 x	11.0ℓ
02-002-00031	H18cm Ø45 x	15.0ℓ
02-002-00032	H20cm Ø50 x	22.0ℓ
02-002-00033	H22cm	30.0ℓ


**LACOR 18/10 Stainless Steel Mixing Bowl Stand**

Product Code	Dimension
02-002-00022	Ø20cm


**SCHNEIDER Plastic Microwaveable Mixing Bowl**

Product Code	Dimension Ø19	Capacity
02-002-00063	x 7.9cm Ø24 x	1.0 ℓ
02-002-00064	11.5cm Ø28 x	2.5 ℓ
02-002-00065	13.5cm Ø32.5 x	4.5 ℓ
02-002-00066	14.7cm Ø36 x	6.0 ℓ
02-002-00067	16.5cm Ø40 x	9.0 ℓ
02-002-00068	18.5cm	13.0ℓ


**SAFICO 18/10 Stainless Steel Conical Mixing Bowl**

Product Code	Dimension Ø20
02-002-00051	x H10cm Ø24 x
02-002-00052	H11.2cm Ø28 x
02-002-00053	H11.9cm Ø32 x
02-002-00054	H14cm Ø36 x
02-002-00055	H15cm Ø40 x
02-002-00056	H17cm


**MARINEX Glass Bowl without Lid**

Product Code	Dimension Ø21	Capacity
02-002-00039	x H9cm Ø27 x	1.5 ℓ
02-002-00040	H10.3cm Ø29 x	3.0 ℓ
02-002-00041	H10.5cm	4.0ℓ


**MAUVIEL M'PASSION Copper Eggwhite Beating Bowl with Handle**

Product Code	Dimension	Capacity
02-002-00042(XX)	Ø26 x H13cm	4.6 ℓ
02-002-00043	Ø30 x H15cm	7.0 ℓ
02-002-00044(XX)	Ø35 x H18cm	12.0 ℓ
02-002-00045	Ø40 x H20cm	16.7ℓ


**MAUVIEL M'PASSION Copper Eggwhite Beating Bowl with Ring**

Product Code	Dimension	Capacity
02-002-00046	Ø26 x H13cm	4.6 ℓ
02-002-00047	Ø30 x H15cm	7.0 ℓ
02-002-00048	Ø35 x H18cm	12.0 ℓ
02-002-00049	Ø40 x H20cm	16.7ℓ


**MAUVIEL M'PASSION Stainless Steel Support for Beating Bowl**

Product Code	Dimension
02-002-00050(XX)	48 x 35.5 x 17.5cm



#### Stainless Steel Utility Bowl

Product Code	Dimension
02-002-00131	Ø12 x H6.5cm
02-002-00132	Ø14 x H7.5cm



#### ZEBRA Stainless Steel Bowl

Product Code	Dimension	Capacity
02-002-00234	9cm 10cm	9.5 ℓ
02-002-00235	11cm	12.0 ℓ
02-002-00236		14.5ℓ



#### Stainless Steel Footed Bowl

Product Code	Dimension
02-002-00105	Ø14 x H8cm
02-002-00106	Ø16 x H8.5cm
02-002-00107	Ø18 x H10.5cm
02-002-00108	Ø20 x H11cm



#### CCK Stainless Steel Sauce / Condiment Bowl

Product Code	Dimension	Capacity
02-002-00218	Ø14 x H8cm	1.0 ℓ
02-002-00219	Ø16 x H10.5cm	1.65 ℓ
02-002-00220	Ø18 x H11cm	2.4 ℓ
02-002-00221	Ø20 x H12.5cm	3.5ℓ



#### Stainless Steel Sauce / Condiment Bowl

Product Code	Dimension
02-002-00252	12cm
02-002-00253	14cm
02-002-00254	16cm
02-002-00255	18cm



#### ZEBRA Stainless Steel Water Bowl

Product Code	Dimension
02-002-00248	12cm
02-002-00249	14cm
02-002-00250	16cm
02-002-00251	18cm



#### Stainless Steel Steaming Bowl

Product Code	Dimension
02-002-00280	Ø11 x H7.5cm



#### CCK Stainless Steel Chicken Steaming Bowl

Product Code	Dimension	Capacity
02-002-00222	Ø12.5 x H10cm	0.6ℓ



#### ZEBRA Stainless Steel Colour Bowl

Dimension	Blue	Green	Pink	Yellow
Ø11cm	02-002-00237	02-002-00238	02-002-00239	02-002-00240
Ø15cm	02-002-00241	02-002-00242	02-002-00243	02-002-00244



#### Stainless Steel Mar Bowl with Holes

Product Code	Dimension
02-002-00263	16cm
02-002-00264	18cm
02-002-00265	20cm



#### Stainless Steel Round Mar Bowl

Product Code	Dimension
02-002-01098	Ø10cm
02-002-00272	Ø12cm
02-002-00273	Ø14cm
02-002-00274	Ø16cm
02-002-00275	Ø18cm
02-002-00276	Ø20cm
02-002-00277	Ø22cm
02-002-00278	Ø24cm
02-002-00279	Ø26cm



#### Stainless Steel Mar Bowl

Product Code	Dimension
02-002-00266	Ø12cm
02-002-00267	Ø14cm
02-002-00268	Ø16cm
02-002-00269	Ø18cm
02-002-00270	Ø20cm
02-002-00271	Ø22cm



#### CCK Stainless Steel Ingredient Dish Footed

Product Code	Dimension
02-002-00215	Ø12" Ø13"
02-002-00216	Ø14"
02-002-00217	



#### Aluminium Colander with Handle & Base

Product Code	Dimension	Capacity
02-002-00380	Ø39 x H19cm	11qt
02-002-00381	Ø42 x H24cm	16qt

#### LACOR 18-10 Stainless Steel Spherical Footer Colander with Handles

Product Code	Dimension	Capacity
02-002-00343	Ø32 x H18cm	9.5 ℓ
02-002-00344	Ø36 x H19cm	12.0 ℓ
02-002-00345	Ø40 x H21cm	14.5ℓ



#### Stainless Steel Colander

Product Code	Dimension
02-002-00398	Ø8 x H4cm
02-002-00399	Ø11 x H5cm
02-002-00400	Ø14 x H5.5cm
02-002-00401	Ø17 x H6.5cm
02-002-00402	Ø20 x H7.5cm
02-002-00403	Ø23 x H8.5cm
02-002-00404	Ø26 x H9.5cm
02-002-00405	Ø29 x H11cm



#### LACOR Stainless Steel Rectangle French Fry Colander

Product Code	Dimension
02-002-00352(XX)	50 x 39 x 8cm



#### LACOR 18-10 Stainless Steel Conical Colander with Stand

Product Code	Dimension	Capacity
02-002-00346	Ø28 x H17cm	13.2 ℓ
02-002-00347	Ø32 x H20cm	14.5 ℓ
02-002-00348	Ø36 x H23cm	16.0 ℓ
02-002-00349	Ø40 x H26cm	18.0 ℓ
02-002-00350	Ø45 x H29cm	20.0 ℓ
02-002-00351	Ø50 x H33cm	22.0ℓ



#### Stainless Steel Colander

Product Code	Dimension
02-002-01063	Ø18cm
02-002-01064	Ø20cm
02-002-01065	Ø22.5cm
02-002-01066	Ø25cm
02-002-01067	Ø27.5cm
02-002-01068	Ø30cm
02-002-01069	Ø33cm
02-002-00367	Ø36cm



#### Plastic Rectangle Deep Colander

Product Code	Dimension
02-002-00382	48 x 35.5 x 17.5cm



#### Plastic Round Colander

Product Code	Dimension
02-002-00383	Ø16.5 x H6cm
02-002-00384	Ø20 x H7.5cm
02-002-00385	Ø25 x H9cm



#### Plastic Round Colander

Product Code	Dimension
02-002-00325	Ø17.8 x H7cm
02-002-00326	Ø21.4 x H8.5cm
02-002-00323	Ø24.5 x H8.4cm
02-002-00327	Ø27 x H9.7cm
02-002-00324	Ø28.5 x H9cm
02-002-00328	Ø31 x H11.4cm
02-002-00330	Ø39 x H11.5cm
02-002-00329	Ø45 x H14.6cm
02-002-00331	Ø49.5 x H15cm
02-002-00332	H15cm



#### Plastic Round Colander

Product Code	Dimension
02-002-00386	Ø34 x H13.5cm
02-002-00387	Ø38 x H14.5cm



#### Plastic Round Colander

Product Code	Dimension
02-002-00388	Ø58 x H21.5cm



#### Plastic Rectangle Colander

Product Code	Dimension
02-002-00333	13.8 x 9.3 x 5cm
02-002-00334	15.2 x 15.2 x 5.8cm
02-002-00335	20.7 x 20.7 x 7.4cm
02-002-00336	26.2 x 26.2 x 7cm
02-002-00337	31.3 x 40.2 x 9.5cm
02-002-00338	30 x 41.5 x 11.2cm
02-002-00339	33 x 46.9 x 10.2cm
02-002-00340	40 x 50 x 10.7cm
02-002-00341	18.5cm



#### Plastic Rectangle Colander

Product Code	Dimension
02-002-00370	20 x 15 x 6cm
02-002-00371	22 x 17 x 7cm
02-002-00372	28 x 20 x 10cm
02-002-00373	28 x 23 x 7cm
02-002-00374	30 x 23 x 10cm
02-002-00375	32 x 26 x 13cm
02-002-00376	33 x 26 x 9cm
02-002-00377	40 x 28 x 13cm
02-002-00378	45 x 32 x 10cm
02-002-00379	50 x 36 x 13cm
02-002-00354	18cm x 40



#### Bamboo Round Flat Colander

Product Code	Dimension
02-002-00368	Ø23cm



#### Bamboo Square Flat Colander

Product Code	Dimension
02-002-00369	22 x 22cm



#### Bamboo Round Bottom Colander

Product Code	Dimension
02-002-00390	Ø17" Ø19"
02-002-00391	Ø21" Ø24"
02-002-00392	
02-002-00393	



#### Stainless Steel Flavouring / Condiment Bowl with Lid

Product Code	Dimension
02-002-00296	Ø12cm
02-002-00297	Ø14cm
02-002-00298	Ø16cm
02-002-00299	Ø18cm
02-002-00300	Ø20cm



#### SAFICO Stainless Steel Round Food Storage Canister without Lid

Product Code	Dimension	Capacity
02-002-00230	Ø16 x H13.5cm	2.5 ℓ
02-002-00231	Ø20 x H17cm	5.0 ℓ
02-002-00232	Ø28 x H23.5cm	14.0 ℓ
02-002-00233	Ø24 x H20cm	8.0ℓ



#### MAUVIEL M'COOK Stainless Steel Roasting Pan w/ Bronze Handles

Product Code	Dimension
01-001-00846	35 x 25 x 7cm
01-001-00847	40 x 30 x 8.5cm



#### PADERNO Stainless Steel Heavy-Duty Roast Pan with Lid

Product Code	Dimension
01-001-00906(XX)	61 x 43 x 15cm



#### LACOR 18-10 Stainless Steel Heavy Duty Roast Pan with Movable Handles

Product Code	Dimension 40 x
01-001-00977	30 x 8cm 50 x
01-001-00978	40 x 8cm 60 x
01-001-00979	45 x 8cm 70 x
01-001-00980	45 x 9.5cm



#### LACOR Stainless Steel Roast Pan with Movable Handles

Product Code	Dimension 30 x
01-001-00981	22 x 5cm 35 x
01-001-00983	26 x 5.3cm 40 x
01-001-00985	20 x 5.6cm 45 x
01-001-00987	32 x 7.5cm



#### LACOR Stainless Steel Roast Pan with Movable Handles

Product Code	Dimension 30 x
01-001-00982	22 x 7.5cm 35 x
01-001-00984	26 x 7.8cm 40 x
01-001-00986	28 x 8.5cm 45 x
01-001-00988	32 x 9cm



#### LACOR Aluminium Heavy Duty Roast Pan

Product Code	Dimension 40 x	Capacity
01-001-00989	30 x 6cm 45 x	7.45 ℓ
01-001-00990	32 x 7cm 50 x	10.4 ℓ
01-001-00991	35 x 8cm 55 x	12.6 ℓ
01-001-00992	37 x 9cm 60 x	16.3 ℓ
01-001-00993	40 x 9cm 65 x	19.0 ℓ
01-001-00994	43 x 10cm 70 x	24.3 ℓ
01-001-00995	45 x 10cm	28.7ℓ



#### SUNNEX Aluminium Bakewell Pan

Product Code	Dimension (L x B x H)	Capacity
01-001-00851	31.8 x 21.6 x 3.8cm	2.2 ℓ
01-001-00852	36.8 x 26.7 x 3.8cm	3.1 ℓ
01-001-00853	41.9 x 30.5 x 3.8cm	4.1 ℓ
01-001-00854	47 x 35.6 x 3.8cm	5.0 ℓ
01-001-00855	52.1 x 41.9 x 3.8cm	7.3 ℓ
01-001-00856	61 x 45.7 x 3.8cm	8.6ℓ



#### SUNNEX Aluminium Roasting Deep Dish with Integrated Handles

Product Code	Dimension (L x B x H)
01-001-00858	47 x 35.6 x 10.2cm
01-001-00859	52.1 x 41.9 x 10.2cm
01-001-00860	61 x 45.7 x 10.2cm
01-001-00861	36.8 x 26.7 x 7cm
01-001-00862	41.9 x 30.5 x 7cm
01-001-00863	x 35.6 x 7cm 52.1 x
01-001-00864	41.9 x 7cm 61 x 45.7
01-001-00865	x 7cm



#### AG Stainless Steel (18/8) Wire Grid

Product Code	Dimension	No.
02-002-01088	42.8 x 27.7cm	No. 6
02-002-01089	36 x 24.2cm	No. 8
02-002-01090	30.7 x 22.1cm	No. 10
02-002-01091	28.5 x 21.5cm	No. 12



#### AG Stainless Steel (18/8) Rectangle Pan

Product Code	Dimension (L x B x H)	Size
02-002-01023	47.5 x 33.3 x 8.2cm	No. 6
02-002-01024	40.6 x 29.3 x 6.4cm	No. 8
02-002-01025	35.3 x 26.4 x 6.1cm	No. 10
02-002-01026	32.2 x 25.2 x 5.3cm	No. 12
02-002-01027	28.6 x 23.1 x 4.9cm	No. 15
02-002-01028	24.8 x 20.2 x 3.7cm	No. 21
02-002-01029	21 x 17 x 3.1cm	No. 30
02-002-01030	18.7 x 14.2 x 3cm	No. 36
02-002-01031	15.5 x 12.6 x 2.7cm	No. 40



#### AG Stainless Steel (18/8) Cake Tray

Product Code	Dimension (L x B x H)
02-002-01032	21.6 x 15.3 x 1.9cm
02-002-01033	28.4 x 20.2 x 1.9cm
02-002-01034	31.7 x 22.8 x 2cm
02-002-01035	34.8 x 25 x 2.1cm
02-002-01036	38.4 x 28.5 x 2.3cm
02-002-01037	41.5 x 30.6 x 2.3cm



#### Stainless Steel Deep Roasting Pan

Product Code	Dimension (L x B x H)
01-001-00876	13 x 10 x 5cm 16 x 12
01-001-00878	x 6.5cm 18 x 12.5 x
01-001-00879	7cm 20 x 14 x 7.5cm
01-001-00880	22 x 16.4 x 7.5cm
01-001-00877	25.3 x 17.5 x 8cm
01-001-00881	

#### Stainless Steel Rectangular Deep Tray

Product Code	Dimension (L x B x H)
02-002-01136	25 x 19.1 x 4.3cm 28
02-002-01137	x 21.9 x 5cm 30.5 x
02-002-01138	23.6 x 5.3cm 33.5 x
02-002-01139	25.3 x 6.1cm 39.5 x
02-002-01140	27.5 x 6.4cm 46 x 32
02-002-01141	x 8.4cm 56 x 35 x
02-002-01142	9cm



#### Stainless Steel Rectangle Pan

Product Code	Dimension (L x B x H)
02-002-01143	24 x 19 x 5cm 30 x
02-002-01144	23.5 x 5cm 35 x 27.5
02-002-01145	x 5cm 40 x 30 x 6cm
02-002-01146	



#### FISCHER Stainless Steel Butchery Tray

Product Code	Dimension (L x B x H)
02-002-00180(XX)	32.5 x 23 x 4cm 51 x
02-002-00181	36 x 4cm 42 x 32 x
02-002-00182(XX)	4cm



#### ZEBRA Stainless Steel Rectangular Tray

Product Code	Dimension
02-002-00201	25 x 21cm
02-002-00202	30 x 25cm
02-002-00203	36 x 29cm
02-002-00204	41 x 32.7cm
02-002-00205	46 x 36.7cm



#### ZEBRA Stainless Steel Round Dish

Product Code	Dimension
02-002-00245	9"
02-002-00246	10"



#### Stainless Steel Rectangle Tray

Product Code	Dimension (L x B x H)
02-002-01128	25 x 19.1 x 2cm 28 x
02-002-01129	21.9 x 2cm 30.5 x
02-002-01130	23.6 x 2cm 33.5 x 25
02-002-01131	x 2cm 39.5 x 27 x
02-002-01132	2cm 45.5 x 32 x 2cm
02-002-01133	56 x 35 x 2cm 56 x 40
02-002-01134	x 2cm
02-002-01135	



#### FISCHER Stainless Steel Grid for Butchery Tray

Product Code	Dimension
02-002-00183(XX)	37 x 17.5cm
02-002-00184(XX)	39 x 26cm
02-002-00185	41 x 29cm



#### FOUR BRIGHT Aluminium Rectangle Tray

Product Code	Dimension
02-002-00191	28 x 20cm
02-002-00190	33 x 24cm
02-002-00210	35 x 26 x 3cm
02-002-00189	38 x 28cm
02-002-00211	40 x 29 x 3cm
02-002-00212	44 x 32 x 3cm
02-002-00213	49 x 37 x 3cm
02-002-00214	54 x 40 x 3cm



#### FOUR BRIGHT Aluminium Rectangle Deep Pan

Product Code	Dimension (L x B x H)	Size
02-002-00188	33 x 22.5 x 5cm	3 2
02-002-00187	36 x 27 x 6cm	1
02-002-00186	40 x 30 x 6.5cm	



#### Stainless Steel 2-Compartment Condiment Box with Lid

Product Code	Dimension (L x B x H)
02-002-00287	22 x 15 x 6cm



#### Stainless Steel 3-Compartment Condiment Box with Lid

Product Code	Dimension (L x B x H)
02-002-00288	33 x 15 x 6cm



#### Stainless Steel 4-Compartment Condiment Box with Lid

Product Code	Dimension (L x B x H)
02-002-00289	30 x 22 x 6.5cm



#### Stainless Steel 6-Compartment Condiment Box with Lid

Product Code	Dimension (L x B x H)
02-002-00290	32 x 30 x 6.5cm



#### Stainless Steel Condiment Dispenser

Product Code	Dimension (L x B x H)	Capacity	3x1
02-002-00291	23 x 16 x 10cm	30 x	pint / 473m ℓ
02-002-00292	16 x 10cm	38 x 16 x	4x1 pint /
02-002-00293	10cm	38 x 16 x 10cm	473m ℓ 5x1 pint
02-002-00294			/ 473m ℓ 6x1 pint / 473mℓ



#### SAN JAMAR Stainless Steel Condiment Dispenser

Product Code	Dimension (L x B x H)	Capacity	3x1
02-002-00315	8.9 x 23.2 x 14.6cm	pint / 473m ℓ	
02-002-00316	8.9 x 30.8 x 14.6cm	4x1 pint /	
02-002-00317	8.9 x 38.1 x 14.6cm	473m ℓ 5x1 pint	
02-002-00318	8.9 x 45.7 x 14.6cm	/ 473m ℓ 6x1 pint / 473mℓ	



#### SAN JAMAR Stainless Steel Condiment Dispenser with Individual Notched Lid

Product Code	Dimension (L x B x H)	Capacity	1x1
02-002-00319	8.9 x 15.2 x 14.6cm	qt / 946m ℓ	
02-002-00320	8.9 x 30.5 x 14.6cm	2x1 qt / 946mℓ	



#### JIWINS Plastic Condiment Dispenser

Product Code	Dimension (L x B x H)	Capacity	4x1
02-002-00281	50 x 16 x 9cm	50 x 16	pint / 473m ℓ
02-002-00282	x 9cm	6x1	pint / 473mℓ



#### SAN JAMAR Dome Condiment Dispenser

Product Code	Capacity	3x2 qt /	Capacity Dome center, 2 x
02-002-00304	946m ℓ	4x3 qt /	handles Dome center, 2 x
02-002-00305	946mℓ		handles
02-002-00306	1x2 qt, 4x1qt / 946mℓ		Garnish center 2 snap-on caddies, handles
02-002-00307	6x1 qt / 946mℓ		Garnish center 2 snap-on caddies, handles



#### SAN JAMAR Dome Stacker Condiment Dispenser

Product Code	Capacity
02-002-00308	3x2 qt / 946mℓ 6x1qt / 946mℓ (chillable)


**SAN JAMAR Mini Dome Condiment Dispenser**

Product Code	Capacity	
02-002-00310	2x1 pt / 473mℓ	Garnish Center


**SAN JAMAR Mini Dome Condiment Dispenser with Notched Lids**

Product Code	Capacity	
02-002-00311	4x1.5qt / 473mℓ 4x1 pt / 473mℓ	Dome stacker 2 notched lids, 2 standaround lids


**SAN JAMAR Mini Dome Stacker Condiment Dispenser**

Product Code	Capacity	2x2
02-002-00312	qt / 473mℓ 1x1 qt / 473mℓ	


**SAN JAMAR Plastic Condiment Tray Insert**

Product Code	Dimension (L x B x H)	Capacity
02-002-00313	6.4 x 12.7 x 7.3cm	1 pint / 473mℓ


**SAN JAMAR Plastic Condiment Tray Insert**

Product Code	Dimension (L x B x H)	Capacity
02-002-00314	14.9 x 7 x 14cm	1qt / 946mℓ


**SAN JAMAR Deep Tray Insert**

Product Code	Capacity
02-002-00302	2qt / 1.8ℓ


**SAN JAMAR Deep Tray Insert for Dome Condiment Dispenser**

Product Code	Capacity
02-002-00303	3 pint / 1.4ℓ


**SAN JAMAR Chillable Standaround Tray Insert**

Product Code	Capacity
02-002-00301	1 pint / 473mℓ


**SAN JAMAR EZ-Chill Refreezable Ice Pack**

Product Code	Capacity
02-002-00309	6pcs/pack


**SAN JAMAR Stainless Steel Garnish Tray with Ice Packs**

Product Code	Dimension (L x B x H)	Capacity
02-002-00321	147 x 457 x 137m	3x1 qt / 946mℓ, 3 x Ice packs


**TABLECRAFT Stainless Steel Expandable Countertop Squeeze Bottle**

Product Code	Dimension (L x B x H)	
02-002-00917	10.5" x 3.75" x 2"	Holds up to 6 bottles


**TABLECRAFT Stainless Steel Four Hole Squeeze Bottle Holder**

Product Code	Dimension	
02-002-00918	6.25" x 7"	Holds 12oz and 16oz bottles. For 1/6 pan size. Pan not included.


**TABLECRAFT Stainless Steel Six Hole Squeeze Bottle Holder**

Product Code	Dimension	
02-002-00919	12.75" x 7"	Holds 12oz, 16oz and 24oz bottles. For 1/3 pan size. Pan not included.


**TABLECRAFT Stainless Steel Eight Hole Squeeze Bottle Holder**

Product Code	Dimension	
02-002-00920	12.75" x 7"	Holds 12oz and 16oz bottles. For 1/3 pan size. Pan not included.


**TABLECRAFT PE Dual Way Squeeze Bottle with InveraTop**

Product Code	Dimension	Capacity
02-002-00902	5.3cm opening	16oz / 473mℓ


**TABLECRAFT NATURAL Squeeze Bottle One Tip**

Product Code	Dimension	Capacity
02-002-00903	6.3cm opening	20oz / 591mℓ


**TABLECRAFT NATURAL Squeeze Bottle Triple Tip**

Product Code	Dimension	Capacity
02-002-00904	6.3cm opening	16oz /
02-002-00905	6.3cm opening	473mℓ 24oz
02-002-00914	6.3cm opening	/ 710mℓ
		32oz /
		946mℓ


**TABLECRAFT NATURAL Dual Way Squeeze Bottle**

Product Code	Dimension	Capacity
02-002-00907	6.3cm opening	24oz / 710mℓ


**TABLECRAFT NATURAL Squeeze Bottle with Natural Cane Tiptop, Dual Way**

Product Code	Capacity
02-002-00908	16oz /
02-002-00909	473mℓ 24oz / 710mℓ


**Metal Stand Adjustable T-Stand for 02-002-00928**

Product Code	Dimension
02-002-00926	36 x 30 x 89cm



#### TABLECRAFT PE Dual Way Squeeze Bottle with InvertTop

Product Code	Dimension	Capacity		
02-002-00910	5.3cm opening	12oz	/	Works with slow-flowing condiments such as barbecue and mayonnaise
02-002-00913	5.3cm opening	355mℓ	24oz	Works with slow-flowing condiments such as barbecue and mayonnaise
		/ 710mℓ		



#### JIWINS PE Squeeze Bottle

Dimension	Capacity 8oz	Clear	Red	Yellow
Ø5 x 17.5cm	/ 236mℓ	02-002-00884	02-002-00973	02-002-00886
Ø5.5 x 20.6cm	12oz /	02-002-00878	02-002-00971	02-002-00880
Ø7 x 24cm	355mℓ 24oz	02-002-00881	02-002-00972	02-002-00883
	/ 710mℓ			



#### A-STAR Plastic Multi Purpose Squeeze Bottle with Cover

Dimension	Capacity	Green	Red	White	Yellow
7 x 18cm	12oz /	02-002-00889	02-002-00974	02-002-00891	02-002-00892
7.5 x 26.8cm	350mℓ 25oz	02-002-00893	02-002-00894	02-002-00895	02-002-00896
	/ 750mℓ				



#### Plastic Refillable Container with Squeeze Pump

Product Code	Dimension	Capacity	Plastic Refillable Container	Plastic Squeeze Dispenser	Accessory Stand
02-002-00928	18.5cm Thread: Ø4cm	6ℓ	02-002-00927 Dimension: 18.5cm Thread: Ø4cm	02-002-00925 Dimension: 17 x 17 x 22.5cm	02-002-00926 Dimension: 36 x 30 x 89cm



#### WESTMARK Stainless Steel Garnishing / Cocoa Castor

Product Code	Capacity 9oz (4 Shaker Plates)	Dimension
02-002-00942		Ø7.5 x H10cm



#### Stainless Steel Condiment Can with Mesh

Product Code	Dimension
02-002-00949	Ø6 x H8cm



#### Stainless Steel Sugar Dredger with Mesh Cover

Product Code	Dimension	Capacity
02-002-00950	Ø7 x H9cm	10oz



#### Stainless Steel Sugar / Icing Shaker

Product Code	Dimension	Capacity
02-002-00943	Ø7 x H9cm	10oz



#### Stainless Steel Sugar / Icing Shaker with Handle

Product Code	Dimension	Capacity
02-002-00944	Ø7 x H9cm	10oz



#### Stainless Steel Sesame Can

Product Code	Dimension	Capacity
02-002-00951	Ø6.5 x H10cm	3.5mm hole



#### Stainless Steel Salt / Sesame Can

Product Code	Dimension	Capacity
02-002-00941	Ø7.2 x H9cm	



#### Stainless Steel Pepper Shaker w/ Handle & 'P' Cover

Product Code	Dimension	Capacity
02-002-00945	Ø7 x H9cm	10oz



#### Stainless Steel Pepper Shaker w/ 'P' Cover

Product Code	Dimension	Capacity
02-002-00946	Ø7 x H9cm	10oz



#### Stainless Steel Pepper Can

Product Code	Dimension	Capacity
02-002-00940	Ø7.2 x H9cm	



#### Stainless Steel Salt / Pepper Can

Product Code	Dimension	Capacity
02-002-00939	Ø6.5 x H11cm	



#### Stainless Steel Salt Shaker w/ Handle & 'S' Cover

Product Code	Dimension	Capacity
02-002-00947	Ø7 x H9cm	10oz



#### Stainless Steel Salt Shaker w/ 'S' Cover

Product Code	Dimension	Capacity
02-002-00948	Ø7 x H9cm	10oz



#### Stainless Steel Multi Purpose Shaker

Product Code	Dimension	Capacity
02-002-00952	Ø6.5 x H9.5cm	



#### Stainless Steel Shaker for Salt or Pepper

Product Code	Dimension	Capacity
02-002-00953	Ø5 x H7cm	8oz
02-002-00954	Ø7 x H8.5cm	9.5oz
02-002-00955	Ø7 x H11.5cm	12oz



#### TABLECRAFT Swirled Cheese Shaker w/ Chrome Perforated Top

Product Code	Capacity
02-002-01107	6oz



#### CAMBRO Plastic Shaker with Salt & Pepper Lid

Product Code
02-002-00975



#### CAMBRO Plastic Shaker with Cheese Lid

Product Code
02-002-00933



#### CAMBRO Salt and Pepper Lid Only

Product Code	Colour
02-002-00936(XX)	Beige



#### CAMBRO Plastic Shaker with Medium Ground Lid

Product Code
02-002-00935



#### WESTMARK Stainless Steel Strainer

Product Code	Dimension
02-002-00423	Ø20 x L42cm



#### LACOR Stainless Steel Food Mill with 2 Discs

Product Code	Dimension	Capacity	
02-002-00422	Ø20 x H9cm	1.5	Light-duty
02-002-00420	Ø26 x H13cm	5.0	Heavy-duty
02-002-00421	Ø32 x H15cm	8.0	Heavy-duty



#### LACOR Stainless Steel Food Mill with 2 Discs

Product Code	Dimension	Capacity
02-002-00419	Ø30 x H12.5cm	3.5



#### L. TELLIER Stainless Steel Food Mill w/ 3 Stainless Steel Discs

Product Code	Dimension	
02-002-00417	Ø31 x H25cm	Sieves 1.5mm, 2.5mm, 4.0mm



Accessories Sieve

**L. TELLIER Food Mill CW 1 Disc, Stainless Steel Sieve**

Product Code	Dimension	
02-002-00411	Ø37 x H32cm	Comes with 1 Sieve Ø3.0mm
02-002-00412	Ø1.0mm	
02-002-00413	Ø1.5mm	
02-002-00414	Ø2.0mm	
02-002-00416	Ø3.0mm	
02-002-00415	Ø4.0mm	

Accessories Sieve



Accessories Sieve

**L. TELLIER Stainless Steel Food Mill on Stand with 1 Sieve (P10)**

Product Code 02-	Dimension	
002-00406(XX)	Ø39 x H80cm	Comes with 1 Sieve Ø3.0mm
02-002-00407(XX)	Ø1.0mm	
02-002-00408(XX)	Ø1.5mm	Accessories Sieve
02-002-00409(XX)	Ø2.0mm	
02-002-00410(XX)	Ø4.0mm	

**Stainless Steel Flour Sieve w/ Hand Press**

Product Code	Dimension
02-002-00711	Ø12 x H13cm

**LACOR Stainless Steel Flour Sieve P50**

Product Code	Dimension
02-002-00692(XX)	Ø30cm

**CCK Stainless Steel Flour Sieve Heavy Duty**

Product Code	Dimension
02-002-00688	Ø10" Ø12"
02-002-00689	Ø14" Ø16"
02-002-00690	
02-002-00691	

**LACOR Stainless Steel Sieve P25**

Product Code	Dimension
02-002-00693(XX)	Ø30cm

**Stainless Steel Flour Sieve with 4 Interchangeable Mesh**

Product Code	Dimension	
02-002-01093	Ø26cm	Mesh 1: 0.075 x Ø0.016cm, Mesh 2: 0.1 x Ø0.024cm, Mesh 3: 0.2 x Ø0.028cm, Mesh 4: 0.3 x Ø0.038cm

**Stainless Steel Flour Sieve**

Product Code	Dimension
02-002-00699	Ø16cm
02-002-00700	Ø18cm
02-002-00701	Ø21cm
02-002-00702	Ø23cm
02-002-00703	Ø26cm
02-002-00704	Ø29cm
02-002-00705	Ø35cm
02-002-00706	Ø40cm
02-002-00707	Ø45cm



### Stainless Steel Potato Ricer / Press

Product Code	Dimension
02-002-00427	30.5 x 9.5cm



### Stainless Steel Potato Masher

Product Code	Dimension 28
02-002-00428	x 7cm Ø12 x
02-002-00429	H60cm Ø15 x
02-002-00430	H80cm



### MICROPLANE GOURMET Stainless Steel Grater

Product Code	Dimension	Type	
02-002-00447	30 x 7.5cm	Fine	Use to zest citrus, grate hard round cheeses,spices, chilies and ginger.
02-002-00446	30 x 7.5cm	Medium Ribbon	Use to grate chocolate, coconut,soft cheeses, zucchini and onion.
02-002-00445	30 x 7.5cm	Coarse	Use to grate hard round cheeses, coconut,carrots, garlic and chocolate.
02-002-00449	30 x 7.5cm	Extra Coarse	Use to grate zucchini, potatoes,soft cheeses, carrots and cabbage.
02-002-00451	30 x 7.5cm	Ultra Coarse	For use with cabbage, soft cheeses, zucchini,carrots, potatoes, apples and other foods that require larger grating surface



### MICROPLANE

### Stainless Steel Grater

Product Code	Dimension	Type	
02-002-00457	33 x 7.6cm	Fine / Spice	Use to zest citrus, grate hard round cheeses,spices, chilies and ginger.
02-002-00456	33 x 7.6cm	Medium Ribbon	Use to grate chocolate, coconut,soft cheeses, zucchini and onion.
02-002-00455	33 x 7.6cm	Coarse	Use to grate hard round cheeses, coconut,carrots, garlic and chocolate.
02-002-00459	33 x 7.6cm	Extra Coarse	Use to grate zucchini, potatoes,soft cheeses, carrots and cabbage.



### MICROPLANE SPECIALTY 4-Sided Box Grater (Dishwasher safe)

Product Code	Dimension	Type
02-002-00461	13 x 8 x 26cm	Ultra coarse; Fine/zester; Medium ribbon; Slicer



### LACOR Stainless Steel Potato Grater

Product Code	Dimension	Type
02-002-00436	25.5 x 11cm	Flat Fine
02-002-00437	25.5 x 11cm	Flat Slice / Fine / Coarse
02-002-00435	25.5 x 11cm	Flat Coarse



### LACOR Stainless Steel Grater

Product Code	Dimension	Type
02-002-00439	22 x 3.5cm	Long Fine
02-002-00440	22 x 3.5cm	Long Medium
02-002-00438	22 x 3.5cm	Long Coarse



### LACOR Stainless Steel 4-Sided Box Grater

Product Code	Dimension
02-002-00434	11 x 9 x 23cm



#### LACOR Stainless Steel Nutmeg Grater

Product Code	Dimension
02-002-00441	Ø4 x L14cm



#### LACOR Stainless Steel Rotary Cheese Grater with 2 Blades

Product Code	Dimension
02-002-00442	20 x 13.5 x 10cm



#### BOSKA ROMANO Hand Grater

Product Code	
02-002-00432	No sharp edges. 1 press function.



#### MICROPLANE GOURMET Stainless Steel Star Parmesan Grater

Product Code	Dimension
02-002-00450	30 x 7.5cm

Star blade creates pillow soft mounds out of hard round cheeses, chocolate, garlic, spices and ginger.



#### MICROPLANE GOURMET Plastic Slider Attachment for Graters

Product Code	
02-002-00452	Use to grate small items such as garlic and nutmeg.



#### Stainless Steel Triangle 3-Sided Grater

Product Code	Dimension
02-002-00466	21 x 15 x 4cm



#### Stainless Steel Cheese Grater

Product Code	Dimension
02-002-00465	15.5 x 5.7cm



#### L. TELLIER Stainless Steel Cheese Grater

Product Code	Dimension
02-002-00433(XX)	19.4 x 11 x 11.5cm



#### MICROPLANE GOURMET Stainless Steel Large Shaver

Product Code	Dimension
02-002-00448	30 x 7.5cm



#### MICROPLANE Stainless Steel Large Shaver

Product Code	Dimension
02-002-00458	33 x 7.6cm





#### Cast Aluminium Heavy Duty Ginger Grater

Product Code
02-002-00463



#### MICROPLANE PREMIUM Stainless Steel Spice Grater

Product Code	Dimension
02-002-00453	12.3 x 1.1cm



#### MICROPLANE PREMIUM Stainless Steel Zester

Product Code	Dimension	
02-002-00454	30 x 3.3cm	PREMIUM range. Use to zest citrus, grate hard round cheeses and ginger.



#### ATLANTIC CHEF Lemon Zester

Product Code	
02-002-00431	5 Holes



#### LACOR Stainless Steel Manual Onion Chopper

Product Code	Dimension	Capacity
02-002-00468	Ø9.5 x H22cm	200ml



#### WESTMARK Aluminium Coated Garlic Press

Product Code	Dimension
02-002-00471	16 x 5.2 x 3.3cm



#### MICROPLANE Garlic Cutter

Red	Black
02-002-00470	02-002-00469



#### WESTMARK KERNEX Aluminium Coated Cherry Stoner

Product Code	Dimension
02-002-00490	14 x 4 x 2.5cm



#### WESTMARK OLIVUS Aluminium Coated Olive Stoner

Product Code	Dimension
02-002-00491	17 x 5 x 1cm



#### LACOR Stainless Steel Egg Slicer

Product Code	Dimension
02-002-00496	Ø10cm



#### LACOR Stainless Steel 2-Way Egg Slicer

Product Code	Dimension
02-002-00497	15 x 10 x 3.7cm



#### IMPERIA STENDIPASTA Wd Square Pasta Drying Rack

Product Code	Dimension
02-002-00505	27 x 10cm



#### IMPERIA Raviolamp 24-24 Squares

Product Code	Dimension	
02-002-00498	28.5 x 11cm	Ravioli Classici



#### IMPERIA Raviolamp 36-36 Squares

Product Code	Dimension	
02-002-00499	32 x 14cm	Ravioli Classici



#### IMPERIA Raviolamp 12-12 Circles

Product Code	Dimension	
02-002-00500	33.5 x 11.5cm	Ravioli Chef



#### IMPERIA Raviolamp 10-10 Stars

Product Code	Dimension	
02-002-00501	32 x 14cm	Stelline Little Star



#### IMPERIA Raviolamp 12-12 Hearts

Product Code	Dimension	
02-002-00502	33.5 x 11.5cm	Cuoricini Little Hearts



#### IMPERIA Raviolamp 18-18 Triangles

Product Code	Dimension	
02-002-00503	33.5 x 11.5cm	Triangular Tortelli Classici



#### IMPERIA Raviolamp 6-6 Semi Circles

Product Code	Dimension	
02-002-00504	33.5 x 11.5cm	Sorrisi Giant Smiles



#### Stainless Steel Citrus Juice Press

Product Code	Dimension
02-002-00485	16 x 11 x 8.5cm



#### WESTMARK Stainless Steel Lemon Pourer

Product Code	Dimension	Colour
02-002-00487	Ø3.5 x 7.5cm	Clear



#### WESTMARK LIMONA Aluminium Citrus Fruit Press

Product Code	Dimension
02-002-00483	Ø12 x L23.8cm



#### Stainless Steel Citrus Juice Press

Product Code	Dimension
02-002-00486	Ø9x L28cm



#### Stainless Steel Lime / Citrus Squeezer

Product Code	Dimension
02-002-00488	8.35 x 7.3cm



#### Aluminium Standing Fruit Press

Product Code	Dimension
02-002-00484	31 x 11 x 23cm



#### Mortar & Pestle

Product Code	Dimension	Colour	Marble (White)
02-002-00474	Ø12 x 9.5cm	Smooth Black w/ Flower	
02-002-00476	Ø10 x H9cm	Smooth Black w/ Flower	
02-002-00477	Ø12 x H10cm		



#### JAMIE OLIVER Large Pestle & Mortar

Product Code	Dimension
02-002-01112	20cm



#### Stainless Steel French Fry Scoop

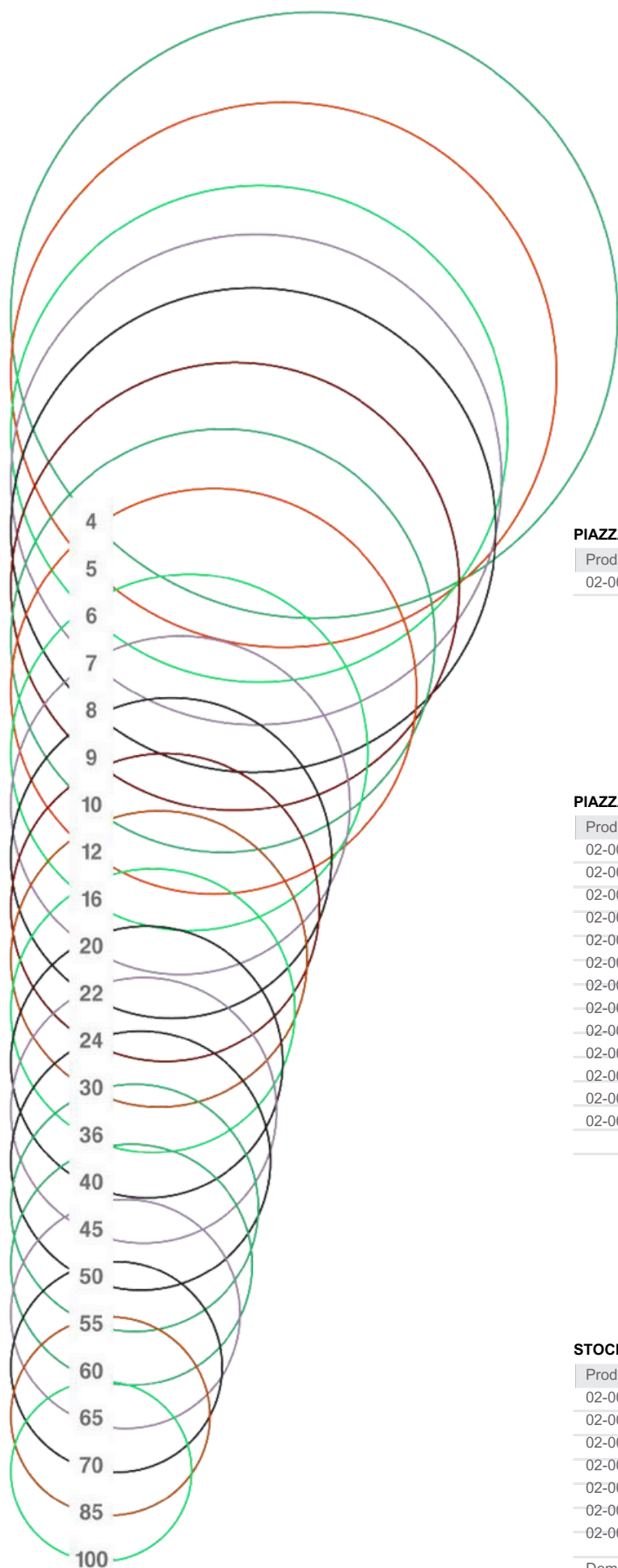
Product Code	Dimension	
02-002-00506	19 x 23cm	With Right Handle
02-002-00507	19 x 23cm	With 2 Handles



#### TRAEX French Fry Scoop

Product Code	Dimension	
02-002-00508	20.5 x 5cm 22.9 x	For Right-Handers
02-002-00509	20.5 x 5cm	With 2 Handles

## Ice Cream Scoop Size Chart (for Stockel items)



### PIAZZA Stainless Steel Oval Ice Cream Scoop

Product Code	Dimension	Capacity
02-002-00537	6 x 4.5cm	1/30ℓ



### PIAZZA Stainless Steel Ice Cream Scoop

Product Code	Dimension	Capacity
02-002-00520	Ø3.2cm	1/100 ℓ
02-002-00521	Ø3.7cm	1/70 ℓ
02-002-00522	Ø4.0cm	1/60 ℓ
02-002-00523	Ø4.3cm	1/50 ℓ
02-002-00524	Ø4.6cm	1/40 ℓ
02-002-00525	Ø4.9cm	1/36 ℓ
02-002-00526	Ø5.2cm	1/30 ℓ
02-002-00527	Ø5.5cm	1/24 ℓ
02-002-00528	Ø6.0cm	1/20 ℓ
02-002-00529	Ø6.3cm	1/16 ℓ
02-002-00530	Ø6.9cm	1/12 ℓ
02-002-00531	Ø7.4cm	1/10 ℓ
02-002-00532	Ø7.8cm	1/8ℓ



### STOCKEL Stainless Steel Ice Cream Scoop with Colour Plastic Handle

Product Code	Dimension	Capacity	No.
02-002-00577	Ø3.0cm	10m ℓ	100
02-002-00578	Ø3.5cm	14m ℓ	70
02-002-00579	Ø4.3cm	20m ℓ	50
02-002-00580	Ø4.9cm	33m ℓ	30
02-002-00581	Ø5.1cm	42m ℓ	24
02-002-00582	Ø5.6cm	50m ℓ	20
02-002-00583	Ø5.9cm	63mℓ	16

Domestic. Stainless steel 18/10, Light blue short plastic handle





#### STOCKEL Stainless Steel Ice Cream Scoop / Portioner

Product Code	Dimension	Capacity	No.
02-002-00563	Ø3.0cm	10m ℓ	100
02-002-00564	Ø3.5cm	14m ℓ	70
02-002-00565	Ø4.0cm	16m ℓ	60
02-002-00566	Ø4.3cm	20m ℓ	50
02-002-00567	Ø4.5cm	25m ℓ	40
02-002-00568	Ø4.9cm	33m ℓ	30
02-002-00569	Ø5.1cm	42m ℓ	24
02-002-00570	Ø5.6cm	50m ℓ	20
02-002-00571	Ø5.9cm	63m ℓ	16
02-002-00572	Ø6.7cm	83m ℓ	12
02-002-00573	Ø7.0cm	100m ℓ	10
02-002-00574	Ø8.0cm	125m ℓ	8 5
02-002-00575	Ø9.0cm	200mℓ	

Stainless Steel 18/10. Handle solid brass chrome-plated



#### ZEROLL Ice Cream Scoop

Product Code	Capacity	Capacity
02-002-00550	1.0oz	#30 Red
02-002-00551	1.5oz	#24 Silver
02-002-00552	2.0oz	#20 Gold
02-002-00553	2.5oz	#16 Green
02-002-00554	3.0oz	#12 Blue
02-002-00555	4.0oz	#10 Brown



#### SAN JAMAR SAF-T Ice Scoop & Guardian System

Product Code	Dimension	Capacity
02-002-00597	24.8 x 11 x 16.4cm	177-295mℓ 12-16oz /
02-002-00598	24.8 x 12.2 x 17.1cm	354-473mℓ 20-24oz /
02-002-00599	28.3 x 14 x 18.8cm	591-709mℓ 64-86oz /
02-002-00600	35.6 x 18.1 x 20.9cm	1.8-2.5ℓ



#### STOCKEL Ice Cream Scoop with Creamic Coated

Product Code	Dimension	Capacity	No.
02-002-00562	Ø4.9 x L12.5cm	33mℓ	30
02-002-00561	Ø5.1 x L12.5cm	42mℓ	24
02-002-00560	Ø5.6 x L12.5cm	50mℓ	20
02-002-00559	Ø5.9 x L12.5cm	63mℓ	16

Heat conductive fluid in handle, blue ceramic non-stick coating



#### Stainless Steel Ice Cream Spade

Product Code	Dimension
02-002-00558	9" x 8"



#### ZEROLL Aluminium Tubmate Ice Cream Spade

Product Code	Dimension
02-002-00556	10"



#### SAN JAMAR Banquet / Beverage SAF-T Scoop

Product Code	Dimension	Capacity
02-002-00601	7.5 x 4cm 13.5 x	118-177mℓ 4-6oz /
02-002-00602	7.5 x 5cm 13.5 x	177-295mℓ 6-10oz /
02-002-00603	8.5 x 6cm 17 x	354-473mℓ 12-16oz /
02-002-00604	10.7 x 7cm 23.6 x	591-709mℓ 20-24oz /
02-002-00605	15.8 x 8cm	1.8-2.5ℓ

Accessory: 02-002-00596



#### SAN JAMAR SAF-T Ice Scoop Caddy

Product Code	Dimension	Colour
02-002-00596	28.7 x 23.1 x 20.4cm	Blue



#### TABLECRAFT Aluminium Ice Scoop

Product Code	Dimension	Capacity
02-002-01103	7.25 x 2.75 x 1.75cm	147m ℓ
02-002-01100	8.75 x 3.125 x 2.25cm	12oz /
02-002-01101	10.5 x 4 x 2.5cm	354m ℓ 24oz
02-002-01102	12 x 4.6 x 3.86cm	709m ℓ
02-002-01104	14.25 x 5.25 x 3.5cm	38oz / 1.1 ℓ
02-002-01105	16 x 6.5 x 3.75cm	58oz / 1.7 ℓ
		85oz / 2.5ℓ



#### Aluminium Ice Scoop, Round Mouth

Product Code	Dimension	Capacity
02-002-00610	6.1 x 4cm	177m ℓ
02-002-00611	13.5 x 8 x 5cm	12oz /
02-002-00612	18 x 10 x 7cm	354m ℓ 24oz
02-002-00613	21 x 12 x 9cm	709m ℓ
		38oz / 1.1ℓ



#### JIWINS CLEAR Plastic Ice Scoop

Product Code	Dimension	Capacity
02-002-00592	8 x 7cm	177m ℓ
02-002-00591	12 x 12cm	333m ℓ
02-002-00590	15 x 14cm	1.8ℓ



#### Stainless Steel Flat Base Ice Scoop

Product Code	Dimension	Capacity
02-002-00615	12 x 6.5 x 3.5cm	177m ℓ
02-002-00616	16 x 8.8 x 4cm	345m ℓ
02-002-00617	20.5 x 11.5 x 5.5cm	709m ℓ
02-002-00618	24 x 12 x 8cm	1ℓ



#### ZEBRA Stainless Steel Measuring Mug

Product Code	Capacity
02-002-00652	800mℓ



#### Aluminium Flat Ice Scoop

Product Code	Dimension	Capacity
02-002-00606	L13 x 7 x 4cm (excluding handle) Full Length: 21cm	6oz / 177mℓ
02-002-00607	L15.5 x 9 x 4.5cm (excluding handle) Full Length: 25cm	12oz / 354mℓ
02-002-00608	L20 x 11 x 5.5cm (excluding handle) Full Length: 31cm	24oz / 709mℓ
02-002-00609	L23.5 x 12 x 7cm (excluding handle) Full Length: 35cm	36oz / 1ℓ



#### LACOR Stainless Steel Ice Scoop

Product Code	Dimension	Capacity
02-002-00593	19 x 5 x 3cm	60m ℓ
02-002-00594	21.5 x 6 x 4cm	110m ℓ
02-002-00595	23.5 x 7.5 x 5cm	200mℓ



#### LACOR Stainless Steel Ice Scoop

Product Code	Dimension	Capacity
02-002-00614	24 x 8.5 x 3cm	4oz / 118mℓ



#### Stainless Steel All Round Flour Scoop

Product Code	Dimension
02-002-00619	Ø7.1 x L26.7cm
02-002-00620	Ø12 x L36.5cm



#### Stainless Steel Conical Measuring Jug | Cup

Product Code	Capacity	Colour
02-002-00659	0.25ℓ	Speckled Gray
02-002-00660	1.0ℓ	Speckled Gray
02-002-00661	2.0ℓ	Speckled Gray



#### AG Stainless Steel 18-8 Measuring Cup

Product Code	Capacity
02-002-01070	0.5 ℓ
02-002-01071	1.0 ℓ
02-002-01072	3.0 ℓ
02-002-01073	5.0 ℓ
02-002-01092	2.0ℓ



#### CAMBRO CLEAR Polycarbonate Measuring Cup

Product Code	Capacity
02-002-00623	225m ℓ
02-002-00625	500m ℓ
02-002-00621	1.0 ℓ
02-002-00622	2.0 ℓ
02-002-00624	4.0ℓ



#### JIWINS CLEAR Polycarbonate Measuring Cup

Product Code	Capacity
02-002-00630	250m ℓ
02-002-00631	500m ℓ
02-002-00632	1.0ℓ
02-002-00633	2.0
02-002-00634	ℓ
	3.0
	ℓ



#### CAMBRO CLEAR Polycarbonate Measuring Scoop

Product Code	Capacity 6oz
02-002-00629	/ 177m ℓ
02-002-00626	12oz /
02-002-00627	354mℓ 24oz
02-002-00628	/ 709m ℓ
	64oz / 1.8ℓ



#### Plastic Measuring Cup (Microwave-Safe)

Product Code	Capacity
02-002-00653	0.5 ℓ
02-002-00654	1.0 ℓ
02-002-00655	2.0 ℓ
02-002-00656	3.0 ℓ
02-002-00657	5.0ℓ



#### MARINEX Glass Round Measuring Jug

Product Code	Capacity
02-002-00644	0.25 ℓ
02-002-00645	0.5 ℓ
02-002-00646	1.0ℓ



#### A-STAR Plastic Measuring Scoop

Product Code	Capacity
02-002-00640	10oz /
02-002-00641	295mℓ 16oz
02-002-00642	/ 473m ℓ
	24oz /
	709mℓ



#### SCHNEIDER Plastic Measuring Jug

Product Code	Capacity	Matching Lid
02-002-00647	1.0 ℓ	02-002-00649
02-002-00648	2.0ℓ	02-002-00650



#### Stainless Steel Measuring Spoon (5pcs)

Product Code	Capacity
02-002-00662	1/8 tsp (0.6mℓ), 1/4 tsp (1.2mℓ), 1/2 tsp (2.5mℓ), 1 tsp (5mℓ), 1 tbsp (15mℓ)



#### Plastic Measuring Cup and Spoon Set (11pcs)

Product Code	Capacity
02-002-00664	1/8 tsp (0.6mℓ), 1/4 tsp (1.2mℓ), 1/2 tsp (2.5mℓ), 1 tsp (5mℓ), 1/2 tbsp (7.5mℓ), 1 tbsp (15mℓ), 1/8 cup (31mℓ), 1/4 cup (62mℓ), 1/3 cup (83mℓ), 1/2 cup (125mℓ), 1 cup (250mℓ)



#### CARLISLE Measuring Perforated Spoon with Short Handle

Product Code	Capacity	Colour
02-002-01000	2oz / 59mℓ	Red
02-002-01001	4oz / 118mℓ	Green



#### LACOR Stainless Steel Footed Measuring Cup

Product Code	Capacity
02-002-00643	1.0ℓ



#### CCK Stainless Steel Sausage Funnel

Product Code	Dimension
02-002-00679	Ø4.5 x H8.75cm



#### Plastic Measuring Spoon (5pcs)

Product Code	Capacity
02-002-00663	1mℓ, 5mℓ, 15mℓ, 50mℓ, 100mℓ



#### CARLISLE Measuring Spoon with Short Handle

Product Code	Capacity	Colour
02-002-00993	1oz / 29m ℓ	Yellow
02-002-00992	1.5oz /	Brown
02-002-00995	44m ℓ 2oz /	Red
02-002-00994	59m ℓ 2.5oz	Orange
02-002-00996	/ 74mℓ 3oz /	White
02-002-00997	88m ℓ 4oz /	Green
02-002-00998	118mℓ 6oz /	Black
02-002-00999	177mℓ 8oz /	Blue
	236mℓ	



#### Stainless Steel Measuring Spoon (4pcs)

Product Code	Capacity
02-002-00658	59mℓ, 79mℓ, 118mℓ, 237mℓ



#### WESTMARK Plastic Mixing Jug with Lid & Scale

Product Code	Dimension	Capacity
02-002-00651	Ø15 x H20cm	1.4ℓ



#### LACOR Stainless Steel Funnel

Product Code	Dimension
02-002-00672	Ø12cm
02-002-00673	Ø16cm
02-002-00674	Ø20cm
02-002-00675	Ø24cm



#### LACOR Stainless Steel Funnel with Removable Filter

Product Code	Dimension
02-002-00678	Ø10cm
02-002-00676	Ø12cm
02-002-00677	Ø14cm



#### WESTMARK Stainless Steel Preserve Funnel

Product Code	Dimension
02-002-00687	Ø13cm



#### Plastic Funnel

Product Code	Dimension
02-002-00682	Ø8cm
02-002-00683	Ø10cm
02-002-00684	Ø12.5cm
02-002-00685	Ø15cm



#### Stainless Steel Nut / Crab Cracker with Pick

Product Code	Dimension
02-002-00715	Cracker: 16cm / Pick: 19.7cm



#### LACOR Stainless Steel Lobster Cracker / Plier

Product Code	Dimension
02-002-00712	18.5cm



#### SCHNEIDER Plastic Funnel

Product Code	Dimension
02-002-00665	Ø5cm
02-002-00666	Ø6cm
02-002-00667	Ø8cm
02-002-00668	Ø10cm
02-002-00669	Ø12cm
02-002-00670	Ø14cm
02-002-00671	Ø16.4cm



#### LACOR Stainless Steel Nut / Lobster Cracker

Product Code	Dimension
02-002-00713	17cm



#### Aluminium Lobster Cracker

Product Code	Dimension
02-002-00716	15cm



#### EDLUND Stainless Steel Manual Can Opener (SG-2 Series)

NSF Certified and Dishwasher safe. Opens: 4 to 6 cans/minute  
Recommended Daily Use: Up to 15 cans per day.

Product Code	Model	Bar Length	Add. Info.
02-002-00727	13100	16"	With standard bar & stainless steel base. For up to 11" tall cans with stainless steel base
02-002-00728	13300	22"	With long bar & stainless steel base. For up to 17" tall cans with stainless steel base



#### EDLUND Stainless Steel Manual Can Opener (#2 Series)

Opens: 4 cans/minute Recommended Daily Use: Up to 15 cans per day.

Product Code	Model	Bar Length	Add. Info.
02-002-00726	12100	7"	Table Style Can Opener with new plated steel base (for cans up to 7" tall) "Old Reliable"



#### EDLUND Stainless Steel Manual Can Opener (S-11 Series)

NSF Certified and Dishwasher safe. Opens: 4 to 6 cans/minute Recommended Daily Use: Up to 50 cans per day.

Product Code	Model	Bar Length	Add. Info.
02-002-00732	15000	23"	For up to 11" tall cans with cast stainless steel base
02-002-00733	15320	16"	For up to 17" tall cans with stainless steel clamp base and long bar
02-002-00734	15420	75"	For up to 11" tall cans with stainless steel clamp base and long bar. Complete with spare knife, gear and cleaning tool
02-002-00741(XX)15020		23"	For up to 11" tall cans with stainless steel clamp base. Available with clamp instead of screws/ secures the underside of the table)



#### EDLUND Stainless Steel Manual Can Opener (#1 Series)

NSF Certified and Dishwasher safe. Opens: 4 to 6 cans/minute Recommended Daily Use: Up to 50 cans per day.

Product Code	Model	Bar Length	Add. Info.
02-002-00724	11000	19.5"	Can Opener with new plated steel base (for cans up to 11" tall) "Old Reliable"
02-002-00725	11300	19.5"	With new stainless steel base.



#### EDLUND Stainless Steel Manual Can Opener (G-2 Series)

NSF Certified. Opens: 4 cans/minute Recommended Daily Use: Up to 15 cans per day.

Product Code	Model	Bar Length	Add. Info.
02-002-00736	16700	29.5"	For up to 17" tall cans with cast stainless steel base
02-002-00735	16200	22.5"	For up to 17" tall cans with stainless steel base
02-002-00742(XX)	16100	23"	For up to 17" tall cans with plated steel base
02-002-00743(XX)	16500	29.5"	For up to 17" tall cans with plated steel base



#### EDLUND Stainless Steel Manual Can Opener (#U-12 Series)

NSF Certified. Opens: 4 to 6 cans/minute Recommended Daily Use: Up to 50 cans per day.

Product Code	Model	Bar Length	Add. Info.
02-002-00729	14100	23"	For up to 11" tall cans with plated steel base
02-002-00730	14200	23"	For up to 11" tall cans with stainless steel base
02-002-00731	14600	29.5"	For up to 17" tall cans with stainless steel base
02-002-00739	14010	22"	For up to 11" tall cans with stainless steel clamp base
02-002-00740(XX)	14500	29.5"	For up to 17" tall cans with plated steel base



#### EDLUND CROWN PUNCH Manual Crown Punch Can Opener

Product Code	Model	Dimension	Add. Info.
02-002-00737(XX)	70100	20 x 14 x 20cm	Suitable for cans up to Ø6.5xH10.5". Recommended for up to 200 cans per day. Standard 10" blade. Check with our sales consultants for blade options for different can sizes.



#### EDLUND Accessories Clamp Base for S-11 / U-12 / G-2

Product Code	For S-11 / U-12 / G-2 series
02-002-00744	



02-002-00745



02-002-00746



02-002-00747



02-002-00748



02-002-00749



02-002-00750

#### EDLUND Replacement Parts Knife and Gear

Product Code	For	02-002-00724	02-002-00726
02-002-00745	02-002-00735 / 742(XX) / 743(XX)		
02-002-00746	02-002-00730 / 731 / 741(XX) / 739		
02-002-00747			
02-002-00748			

\*Other additional replacement parts may be available upon request



#### BONZER Spare Wheel Kit for Can Opener

Product Code	Dimension
02-002-00723	2.5cm
02-002-00721	4cm



#### BONZER Spare Blade for Bonzer Can Openers

Product Code	Dimension	Capacity
02-002-00722	Ø20 x 30 x 38cm	3.3ℓ



#### UENO Can Opener

Product Code	Dimension
02-002-00753	7.3cm



#### BONZER Table Mount Can Opener with Stainless Steel Stem & Base

Product Code	Dimension	For up to 14" cans
02-002-00718	28" x 5" x 4"	



#### BONZER Can Opener with Yellow Collar

Product Code	Dimension	For up to 16" cans. EZ20
02-002-00719	30" x 5" x 4"	



#### BONZER Can Opener with Green Collar

Product Code	Dimension	For up to 25" cans. EZ40
02-002-00720	38" x 5" x 4"	



#### SUNNEX Stainless Steel Can Opener

Product Code	Dimension
02-002-00751	17cm



#### Can Opener

Product Code
02-002-00766



#### CULINARE Lift Off Can Opener

Product Code	Dimension
02-002-00759	15.5cm



#### ZYLISS 5-Way Opener

Product Code	Colour
02-002-00754	Green



#### Aluminium Meat Tenderizer

Product Code	Type
02-002-00767	2-Face



#### Aluminium Square Meat Tenderizer

Product Code	Dimension
02-002-00768	60 x 5 x 5cm



#### FISCHER Butcher String

Product Code	Dimension	Capacity
02-002-00770	Ø10.5 x L14.5cm	1kg/2500mtr



#### Cooking String Roll in Blister Card with Cutter

Product Code	Dimension
02-002-00773	60m



#### FISCHER Stainless Steel Larding Needles with Plastic Handle

Product Code	Dimension
02-002-00777	25cm



#### FISCHER Stainless Steel Standaround String Holder

Product Code	Dimension
02-002-00771	17.5 x 14 x 21.5cm



#### FISCHER Stainless Steel String Holder on Stand

Product Code	Dimension
02-002-00772	19 x 12 x 16cm



#### FISCHER Stainless Steel Curved Trussing Needles

Product Code	Dimension
02-002-00774(XX)	Ø0.3 x L15cm
02-002-00775	Ø0.3 x L20cm
02-002-00776(XX)	Ø0.3 x L25cm



#### FISCHER Stainless Steel Straight Trussing Needles

Product Code	Dimension
02-002-00778(XX)	Ø0.3 x L15cm
02-002-00779(XX)	Ø0.3 x L25cm



#### CCK Stainless Steel Chicken Hanging Hook

Product Code	Type
02-002-00780	3-Star
02-002-00781	4-Star



#### CCK Stainless Steel S-Hook

Product Code	Length	Thickness
02-002-00791	4" 5"	Thick
02-002-00792	6" 7"	Thick
02-002-00793	8" 9"	Thick
02-002-00794	12" 4"	Thick
02-002-00795	5" 6"	Thick
02-002-00796		Thick
02-002-00797		Thick
02-002-00798		Thin Thin
02-002-00799		Thin Thin
02-002-00800		Thin Thin
02-002-00801	7"	
02-002-00802	8"	
02-002-00803	9"	



#### CCK Stainless Steel Chicken Hook

Product Code	Length	
02-002-00804	4" 5"	Straight
02-002-00805	6" 7"	Straight
02-002-00806		Straight
02-002-00807		Straight



#### CCK S'PORE STYLE Stainless Steel BBQ Charsiew Skewer (1.5mm Thick)

Product Code	Dimension
02-002-00814	8" 10" 12"
02-002-00815	14" 16"
02-002-00817	18" 20"
02-002-00819	
02-002-00821	
02-002-00823	
02-002-00825	



#### CCK Stainless Steel Chicken Hook with Wooden Handle

Product Code	Length
02-002-00782	14"
02-002-00783	16"
02-002-00784	18"
02-002-00785	20"
02-002-00786	22"
02-002-00787	24"
02-002-00788	30"
02-002-00789	42"



#### CCK STOVE Stainless Steel BBQ Hand Hook Long Handle

Product Code	Dimension
02-002-00808(XX)	143cm



#### CCK Stainless Steel 'J' Hook

Product Code	Dimension
02-002-00809	17cm



#### CCK HK Stainless Steel BBQ Charsiew Skewer

Product Code	Dimension
02-002-00810	14" 16"
02-002-00811	18" 20"
02-002-00812	
02-002-00813	



#### CCK S'PORE STYLE Stainless Steel BBQ Charsiew Skewer (1mm Thin)

Product Code	Dimension
02-002-00816	10" 12"
02-002-00818	14" 16"
02-002-00820	18" 20"
02-002-00822	
02-002-00824	
02-002-00826	


**CCK Stainless Steel BBQ Needle with Ring Handle**

Product Code	Dimension
02-002-00832	24"


**CCK Gold-Coin Chicken Needle / Skewer**

Product Code
02-002-00833


**CCK Stainless Steel Roast Pigeon Skewer 3-Prong**

Product Code	Dimension
02-002-00851	16.5"


**CCK S'PORE STYLE Roast Piglet Skewer 3-Prong**

Product Code	Dimension
02-002-00834	22" 26"
02-002-00835	


**CCK Roast Piglet Skewer 2-Prong**

Product Code	Dimension
02-002-00836	22" 26"
02-002-00838	


**CCK Stainless Steel Roast Piglet Skewer 2-Prong**

Product Code	Dimension
02-002-00837	24"


**CCK HANGING TYPE Stainless Steel Roast Piglet Skewer**

Product Code	Dimension
02-002-00840	22" 24"
02-002-00841	


**CCK Stainless Steel Pig Fork**

Product Code	Dimension
02-002-00842	22" 24"
02-002-00843	26"
02-002-00844	


**CCK Stainless Steel Attachable Handle for Pig Fork**

Product Code	Dimension
02-002-00845	31.5"


**CCK Accessory Wooden Handle for Roast Piglet Skewer**

Product Code
02-002-00839


**CCK Round Roast Pork Spike / Docket with Wooden Handle**

Product Code	Dimension
02-002-00864	16cm


**CCK Stainless Steel Rectangle Roast Pork Spike / Docket Heavy Duty**

Product Code	Dimension
02-002-00865	16cm


**CCK HK Stainless Steel Char Siew Hanger Inverted Y**

Product Code	Dimension
02-002-00827	16"


**CCK Stainless Steel BBQ Chicken, Char Siew Meat Ring with 2 Hooks**

Product Code	Dimension
02-002-00846	12"


**CCK Stainless Steel Roast Piglet Ring with 2 Hooks**

Product Code	Dimension
02-002-00848	13"


**CCK Stainless Steel Roast Duck Tail Needle**

Product Code	Dimension
02-002-00981	6"


**Aluminium Order Rack (Tab Grabber)**

Product Code	Dimension
02-002-00963	18" 24"
02-002-00964	36" 48"
02-002-00965	
02-002-00966	


**Stainless Steel Food Sign**

Product Code	Dimension	
02-002-00967	11 x 11cm	"Uncooked"
02-002-00968	11 x 11cm	"Cooked"


**CCK S'PORE STYLE Stainless Steel Char Siew 'T' Hanger**

Product Code	Dimension
02-002-00828	14" 16"
02-002-00829	18" 20"
02-002-00830	
02-002-00831	


**CCK Stainless Steel Roast Duck Ring with 2 Hooks**

Product Code	Dimension
02-002-00980	12"


**CCK Stainless Steel BBQ Meat Ring with 2 Short Hooks**

Product Code	Dimension
02-002-00849	7"


**CCK BBQ Aluminium Rod with 2 Short Rods**

Product Code	Dimension
02-002-00867	Long 18" / Short 6.5"
02-002-00866	Long 18" / Short 7"


**SAN JAMAR Anodized Aluminium Slide Rack (Tab Grabber)**

Product Code	Dimension
02-002-00956	12" 18"
02-002-00957	24" 36"
02-002-00958	44"
02-002-00959	
02-002-00960	